

SNAP ACTION SWITCH

Features

- Water-tight housing conforming to IEC IP67.
- Wide range of operating temperature from -40°C ~ +120°C.
- Gold crossbar contact and coil spring offer long life expectancy and high reliability.
- RoHS compliant.



Applications

• Automotive Door Latch, Steamer, Telephone, Air Conditioner, Humidifier, Alarm, Time Recorder, Security Device, Mixer & Chopper, Solder Gun, Neon Phone, Fax Machine, Joystick Water, Pump, Gas Detector, Pencil Sharpener, Money Sorter, Food Processor, Electric Knife, Juice Maker.

Specifications

Item	Standard
Rating 6A 125V AC / 250V AC	6A 125V AC / 250V AC 0.1A 24VDC
Operating speed	0.1mm to 1 m/s (pin plunger models)
Operating frequency	Mechanical: 300 operations/min max. Electrical: 30 operations/min max.
Insulation resistance	100MΩmin. (at DC 500V)
Contact resistance (initial value)	50mΩmax. For terminal models 70mΩmax. For molded lead wire models
Dielectric strength	AC 1000V (50/60HZ for 1 minute)
Vibration resistance	Malfunction: 10 to 55Hz, 1.5-mm double amplitude Destruction: 1,000 m/s ² {approx. 100G} max.
Shock resistance	Malfunction: 300 m/s ² {approx. 30G} max.
Durability	Mechanical: 1,000,000 operations min. (60 operations/min) Electrical: 200,000 operations min.
Degree of protection	IP67
Protection against electrical shock	Class 1
Ambient operating temperature	-40°C ~ +120° (without wire leads) -40°C ~ +105° (with wire leads)
Ambient operating humidity	95% max. (for 5°C to 35°C)

Product Selection

SR □□□□-□□□
1 2 3 4 5 6 7

1. CONTACT

- 0: Silver contact
- 1: Gold-plated contact

2. ACTUATOR TYPE

- 00: Pin plunger
- 01: Short hinge lever
- 02: Lever
- 03: Long lever
- 04: Simulated roller lever
- 05: Short hinge roller lever

3. TERMINAL TYPE

- A: Solder Type
- P: PCB Type
- C: Cable Type

4. CONTACT TYPE

- _ : Change over three terminal
- 2: Push OFF two terminal
- 3: Push ON two terminal

5. Cable INFORMATION

- _ : Wire UL1015, 24AWG
- A: 2 pole connector with wire

6. Cable Length

- _ : 300mm
- Customized: Contact with sales person

7. CONTACT

- _ : Without
- A: Bullet terminal

Terminal Dimensions

Code	Solder Terminal	Code	Quick Connect Terminal (#110)
-A		-P	

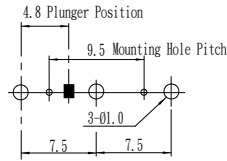
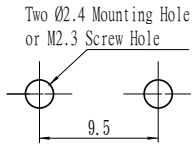
HIGHLY

B19

Design, specifications are subject to change without notice.

SNAP ACTION SWITCH

Mounting Hole For P.C.B.



Mounting

All switches may be panel mounted using M2.3 mounting screws with plane washers or spring washers to securely mount the switch. Tighten the screws to a torque of 0.23 to 0.26 N•m {2.3 to 2.7 kg f□cm}□.

Soldering

To solder the lead to the terminal, apply a soldering iron rated at 60 W max. (temperature of soldering iron:360°C max.) for no more than 5 seconds.

Operating Characteristics

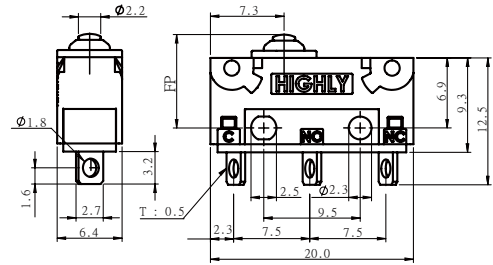
Unit: mm

Item Operating Characteristics Dimensions

SR0-00A



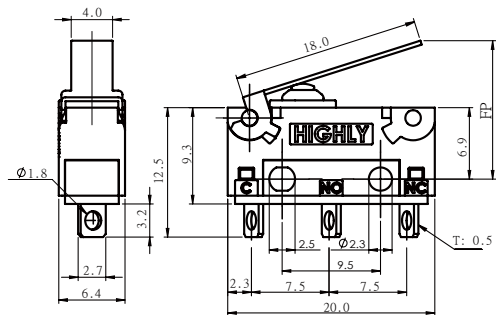
OF	max	200g.
RF	min	50g
PT	max..	0.8 mm
OT	min.	0.6 mm
MD	max.	0.1 mm
FP	max.	9.3 mm
OP	max.	8.4±0.5 mm



SR0-01A



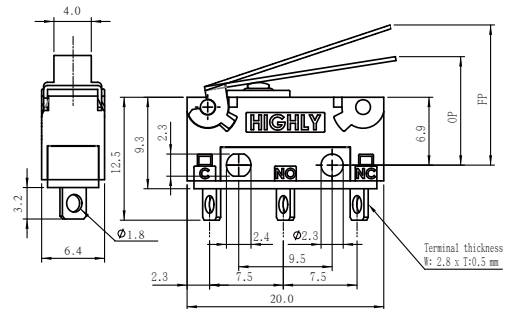
OF	max.	80g
RF	min.	15g
PT	max.	4.5 mm
OT	min.	1.5 mm
MD	max.	0.5 mm
FP	max.	13.4 mm
OP	max.	10.7±1.5 mm



SR0-02A



OF	max.	100g
RF	min.	20g
PT	max.	4.5 mm
OT	min.	1.5 mm
MD	max.	0.6 mm
FP	max.	13.8 mm
OP	max.	11±1.5 mm



HIGHLY

B20

Design, specifications are subject to change without notice.

SNAP ACTION SWITCH

Operating Characteristics

Unit: mm

Item

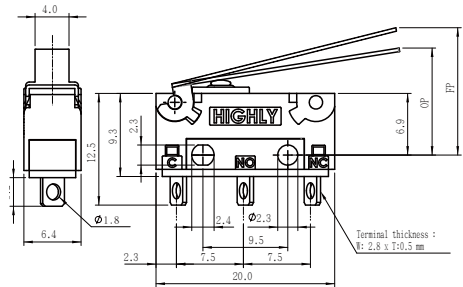
Operating Characteristics

Dimensions

SR0-03A



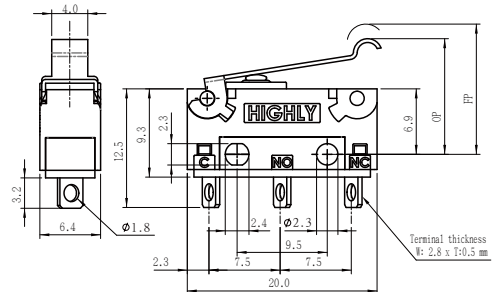
OF	max	100g.
RF	min	20g
PT	max..	4.5 mm
OT	min.	1.5 mm
MD	max.	0.8 mm
FP	max.	16.3 mm
OP	max.	11.5±1.5 mm



SR0-04A



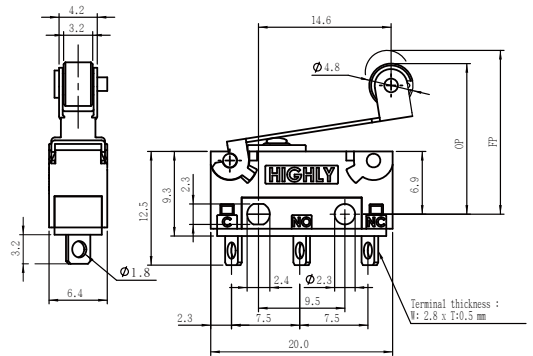
OF	max.	100g
RF	min.	20g
PT	max.	4.5 mm
OT	min.	1.5 mm
MD	max.	0.8 mm
FP	max.	14.6 mm
OP	max.	12.2±1.5 mm



SR0-05A



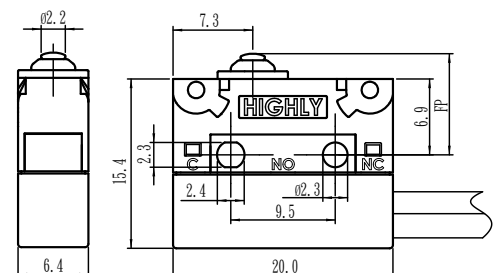
OF	max.	100g
RF	min.	20g
PT	max.	4.5 mm
OT	min.	1.5 mm
MD	max.	0.8 mm
FP	max.	19.5 mm
OP	max.	16.5±1.5 mm



SR0-00C



OF	max.	200g
RF	min.	50g
PT	max.	0.8 mm
OT	min.	0.6 mm
MD	max.	0.15 mm
FP	max.	9.3 mm
OP	max.	8.4±0.5 mm



HIGHLY

B21

Design, specifications are subject to change without notice.