



AUSPICIOUS

HOIST WATER PROOF PUSH BUTTON SWITCH



2011 - F

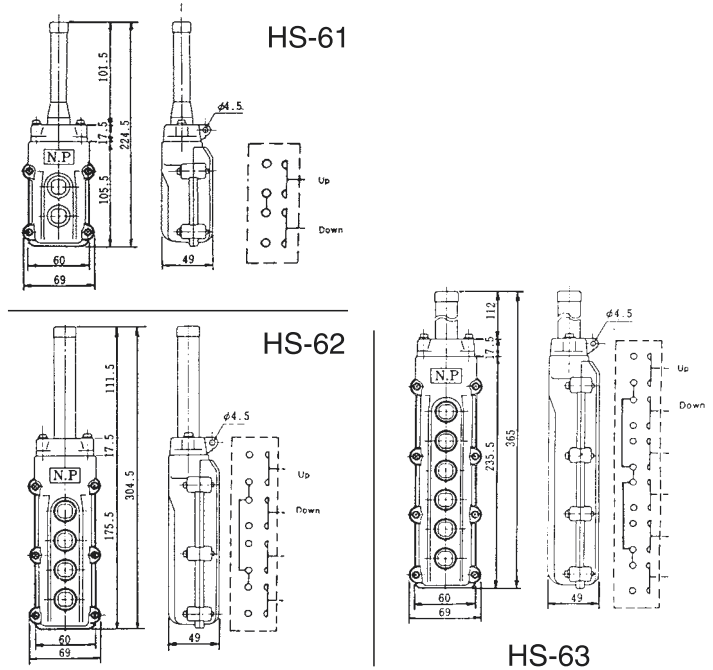


HOIST WATER PROOF PUSH BUTTON (INDIRECT OPERATION)

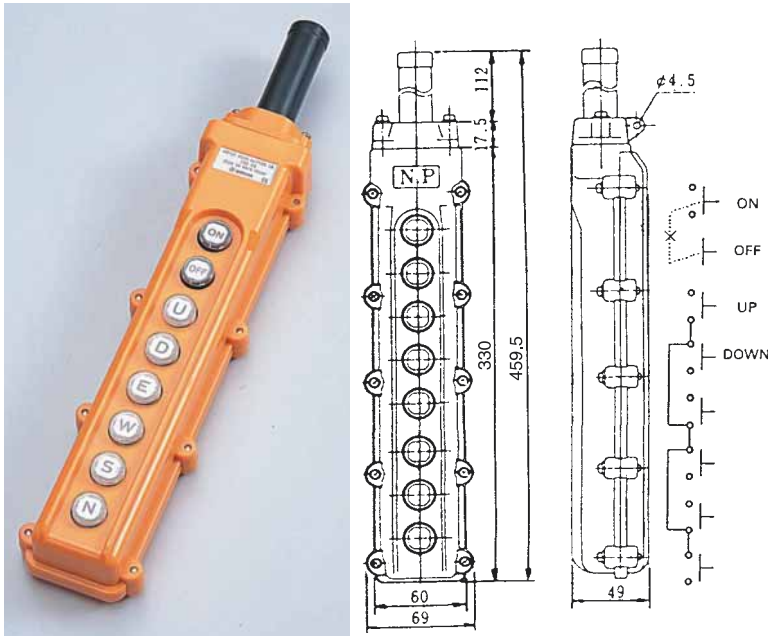


Number of buttons	Complete type	Rating	Cable bushing diameter (mm)
2 (1pair)	HS-61	24VAC 5A	8~16Dia
4 (2pair)	HS-62	120VAC 5A	
6 (3pair)	HS-63	250VAC 5A	
8 (4pair)	HS-64	500VAC 5A	
		24VDC 2A 120VDC 0.4A	

Compact high visibility orange enclosure NEMA 4x enclosure rating Ultra-long service life, -15°C~70°C operation 100g shock resistance Au switch pairs are mechanically interlocked ON-OFF can be substituted in first two buttons any switch shown



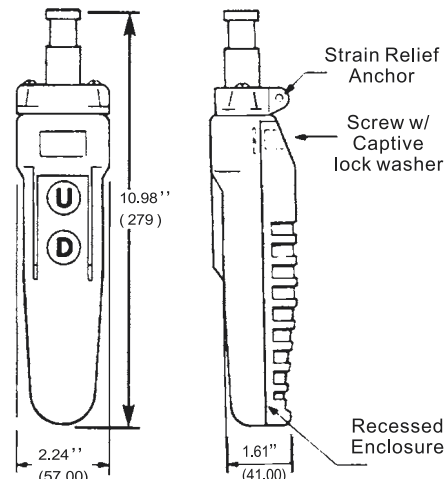
HS-64



HS-61P Pistol grip Pendant



- Ergonomic comfort design
- Single speed 5A, 125V contact block
- Made of high impact ABS resin
- Highly visible safety yellow enclosure
- Waterproof NEMA 4 rating -indoor use only
- Internal and external strain relief
- Variable dia cable bushing inlet with clamp
- Standard UP/Down (Others Available)



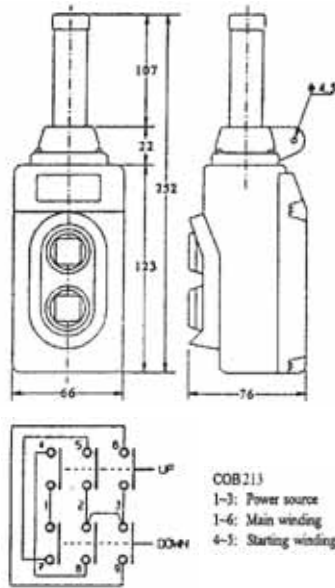
LEGENDS

UP	DOWN	FAST	SLOW	HING	LOW	NORTH	SOUTH
ON	OFF	RIGHT	LEFT	RAISE	LOWER	EAST	WEST
IN	OUT	FWD	REV	START	STOP	OPEN	CLOSE

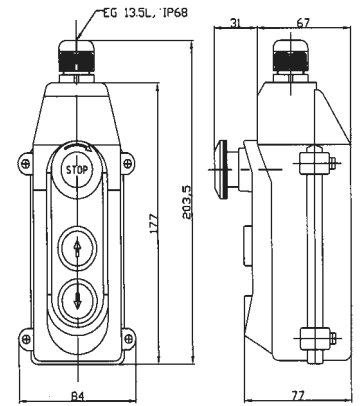
Dimensions and Connections of COB213



COB213



COB213ES



Designed for direct control of single phase electric motors. Since motor current is controlled directly by the pendant switch no extra reversing contactors or costly controls are required.

Features

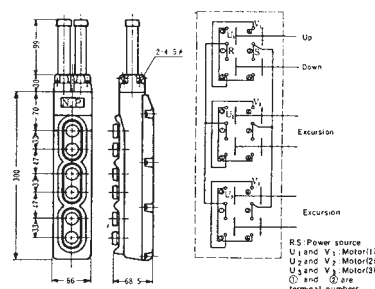
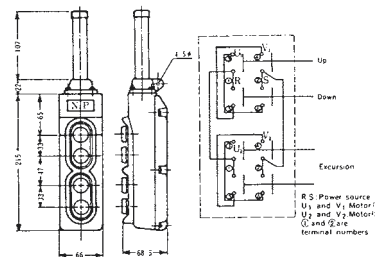
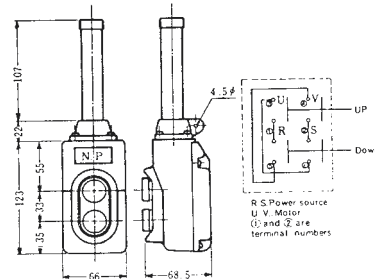
- Durable high quality A.B.S. Pendant switch housing
- Highly visible safety orange color
- NEMA 4 water-proof enclosure
- Split case design for easy installation and wiring
- Flexible cable boot selected to match size of cable prevents entry of foreign debris
- Slim compact size suited for one hand operation
- Control ratings for 1HP max. at 120 VAC
- Two button switch with a wide range of legend markings



COB21

COB22

COB23



Legends

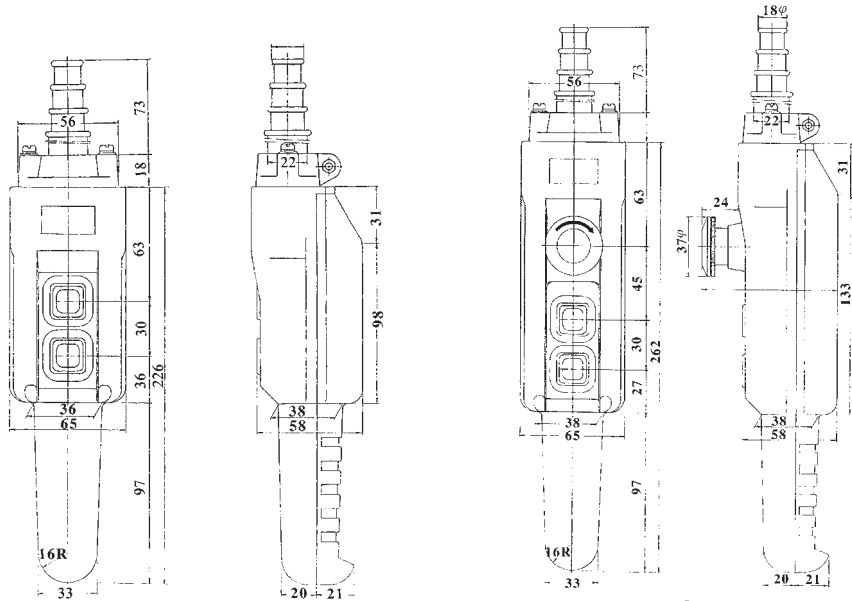
UP, DOWN, RAISE, LOWER, EAST,NORTH, SOUTH, U, D, E, W, N, S, R, L, ↑↓
Rating : 220VAC, 22KW water proof operation



HS802



HS803



HS802

HS803

The **HS80 Series** is a compact, pistol-grip design two-button, three-button with Emergency stop pendant station, and features:

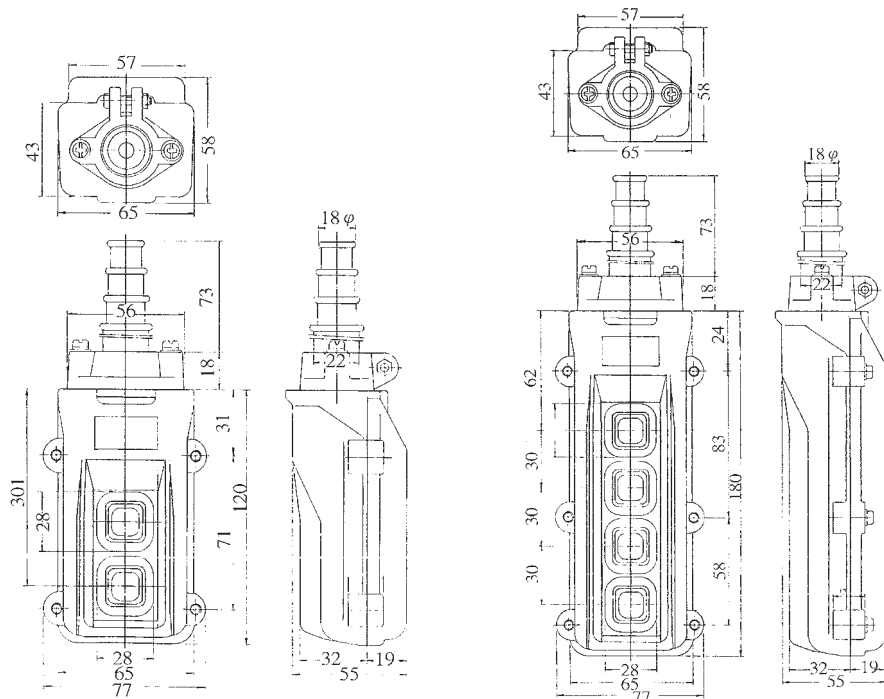
- An especially ergonomic design-less than three inches wide-weighing only 10 ounces
- Construction of high impact ABS, and high visibility safety yellow
- NEMA 4 waterproof rating
- Single-speed 5 amp, 250 volt contact block
- Multi-diameter cable bushing



HS81







HS82



HS81

HS82

 <p>HS803-ES HS805-ES</p>	<table border="1"> <thead> <tr> <th data-bbox="668 224 842 286">Item No.</th> <th data-bbox="842 224 1477 286"></th> </tr> </thead> <tbody> <tr> <td data-bbox="668 286 842 383">HS803-ES</td> <td data-bbox="842 286 1477 383">Emergency stop switch, (Reset) 2 Single Speed UP, Down (↓ · ↑)</td> </tr> <tr> <td data-bbox="668 383 842 479">HS803-2S</td> <td data-bbox="842 383 1477 479">Emergency stop switch, (Reset) 2 Double Speed (↓↓ · ↑↑)</td> </tr> <tr> <td data-bbox="668 479 842 575">HS805-ES</td> <td data-bbox="842 479 1477 575">Emergency stop switch, (Reset) 4 Single Speed UP, Down (↓ · ↑ ← · →)</td> </tr> <tr> <td data-bbox="668 575 842 663">HS805-2S</td> <td data-bbox="842 575 1477 663">Emergency stop switch, (Reset) 4 Double Speed (↓↓ · ↑↑ ⇐ · ⇒)</td> </tr> </tbody> </table>	Item No.		HS803-ES	Emergency stop switch, (Reset) 2 Single Speed UP, Down (↓ · ↑)	HS803-2S	Emergency stop switch, (Reset) 2 Double Speed (↓↓ · ↑↑)	HS805-ES	Emergency stop switch, (Reset) 4 Single Speed UP, Down (↓ · ↑ ← · →)	HS805-2S	Emergency stop switch, (Reset) 4 Double Speed (↓↓ · ↑↑ ⇐ · ⇒)
Item No.											
HS803-ES	Emergency stop switch, (Reset) 2 Single Speed UP, Down (↓ · ↑)										
HS803-2S	Emergency stop switch, (Reset) 2 Double Speed (↓↓ · ↑↑)										
HS805-ES	Emergency stop switch, (Reset) 4 Single Speed UP, Down (↓ · ↑ ← · →)										
HS805-2S	Emergency stop switch, (Reset) 4 Double Speed (↓↓ · ↑↑ ⇐ · ⇒)										
 <p>HS821 HS822</p>	<table border="1"> <tbody> <tr> <td data-bbox="668 678 842 875">HS821</td> <td data-bbox="842 678 1477 875">Emergency stop switch, (Reset) Illuminated push off -push on switch 2 Single speed UP, Down (↓ · ↑) Deep back</td> </tr> <tr> <td data-bbox="668 875 842 1104">HS822</td> <td data-bbox="842 875 1477 1104">Emergency stop switch, (Reset) Illuminated push off -push on switch 2 Double speed UP, Down (↓↓ · ↑↑) Deep back</td> </tr> </tbody> </table>	HS821	Emergency stop switch, (Reset) Illuminated push off -push on switch 2 Single speed UP, Down (↓ · ↑) Deep back	HS822	Emergency stop switch, (Reset) Illuminated push off -push on switch 2 Double speed UP, Down (↓↓ · ↑↑) Deep back						
HS821	Emergency stop switch, (Reset) Illuminated push off -push on switch 2 Single speed UP, Down (↓ · ↑) Deep back										
HS822	Emergency stop switch, (Reset) Illuminated push off -push on switch 2 Double speed UP, Down (↓↓ · ↑↑) Deep back										
 <p>HS831 HS833 HS832 HS834</p>	<table border="1"> <tbody> <tr> <td data-bbox="668 1122 842 1234">HS831</td> <td data-bbox="842 1122 1477 1234">Emergency stop switch, (Reset) Selector switch 2 position, 1 - 2 4 Single speed</td> </tr> <tr> <td data-bbox="668 1234 842 1357">HS832</td> <td data-bbox="842 1234 1477 1357">Emergency stop switch, (Reset) Selector switch 2 position, 1 - 2 4 Double speed</td> </tr> <tr> <td data-bbox="668 1357 842 1491">HS833</td> <td data-bbox="842 1357 1477 1491">Emergency stop switch, (Reset) Illuminated push off -push on switch 4 Single speed Deep back</td> </tr> <tr> <td data-bbox="668 1491 842 1626">HS834</td> <td data-bbox="842 1491 1477 1626">Emergency stop switch, (Reset) Illuminated push off -push on switch 4 Double speed Deep back</td> </tr> </tbody> </table>	HS831	Emergency stop switch, (Reset) Selector switch 2 position, 1 - 2 4 Single speed	HS832	Emergency stop switch, (Reset) Selector switch 2 position, 1 - 2 4 Double speed	HS833	Emergency stop switch, (Reset) Illuminated push off -push on switch 4 Single speed Deep back	HS834	Emergency stop switch, (Reset) Illuminated push off -push on switch 4 Double speed Deep back		
HS831	Emergency stop switch, (Reset) Selector switch 2 position, 1 - 2 4 Single speed										
HS832	Emergency stop switch, (Reset) Selector switch 2 position, 1 - 2 4 Double speed										
HS833	Emergency stop switch, (Reset) Illuminated push off -push on switch 4 Single speed Deep back										
HS834	Emergency stop switch, (Reset) Illuminated push off -push on switch 4 Double speed Deep back										
 <p>HSD84 Dual cable bushing</p>	<table border="1"> <tbody> <tr> <td data-bbox="668 1644 842 1872">HSD-84S</td> <td data-bbox="842 1644 1477 1872">Single speed ON-OFF, UP DOWN, LEFT RIGHT EAST WEST, (Others Available)</td> </tr> <tr> <td data-bbox="668 1872 842 2112">HSD-84D</td> <td data-bbox="842 1872 1477 2112">Two speed ON-OFF, UP DOWN, LEFT RIGHT EAST WEST, (Others Available)</td> </tr> </tbody> </table>	HSD-84S	Single speed ON-OFF, UP DOWN, LEFT RIGHT EAST WEST, (Others Available)	HSD-84D	Two speed ON-OFF, UP DOWN, LEFT RIGHT EAST WEST, (Others Available)						
HSD-84S	Single speed ON-OFF, UP DOWN, LEFT RIGHT EAST WEST, (Others Available)										
HSD-84D	Two speed ON-OFF, UP DOWN, LEFT RIGHT EAST WEST, (Others Available)										

HS841
HS842

HS843
HS844



Item No.

HS841 Emergency stop switch, (Reset)
Selector switch 2 position, 1 - 2
6 Single speed

HS842 Emergency stop switch, (Reset)
Selector switch 2 position, 1 - 2
6 Double speed

HS843 Emergency stop switch, (Reset)
Pilot lamp
6 Single speed

HS844 Emergency stop switch, (Reset)
Pilot lamp
6 Double speed

HS861
HS862

HS851
HS852




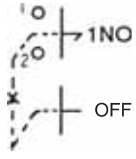
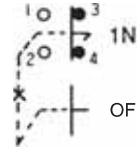
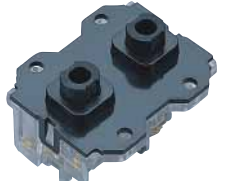
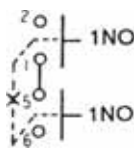
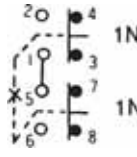

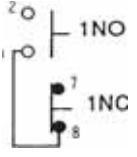
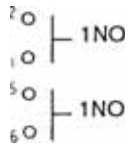
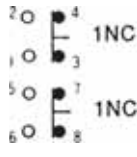

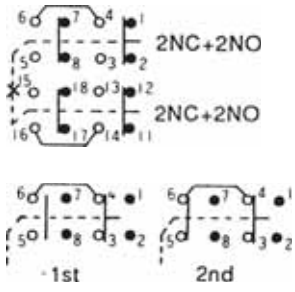
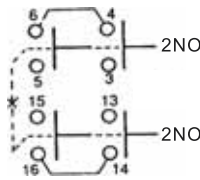

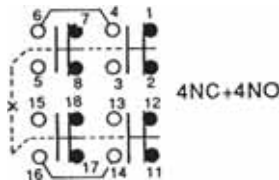

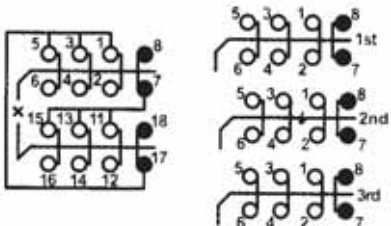
HS851 Emergency stop switch, (Reset)
Pilot lamp
6 Single speed
2 Double speed

HS852 Emergency stop switch, (Reset)
Pilot lamp
4 Single speed
4 Double speed

HS861 Emergency stop switch, (Reset)
Selector switch 2 position, 1 - 2
6 Single speed
4 Double speed

HS862 Emergency stop switch, (Reset)
Selector switch 2 position, 1 - 2
4 Single speed
6 Double speed

SWITCHES

Type	Appearance	Contact arrangement	Operation
N80B		<p>N80B 10</p>  <p>34292</p> <p>N80B 11</p>  <p>34293</p>	<p>MAINTAINED ON-OFF SUPPLIED WITH RED & GREEN BOOT.</p>
N80C		<p>N80C 20</p>  <p>34294</p> <p>N80C 22</p>  <p>34295</p>	<p>MOMRNTARY SINGLE-SPEED WITH MECHANICAL INTERLOCKING</p>
N80J		<p>N80J 11</p>  <p>34308</p> <p>N80J 20</p>  <p>34309</p> <p>N80J 22</p>  <p>34310</p>	<p>MOMENTARY SINGLE SPEED OR MOMENTARY ON-OFF NON-INTERLOCKED SUPPLIED WITH RED & GREEN BOOT.</p>
N80D		<p>N80D 44</p>  <p>34297</p> <p>N80D 40</p>  <p>34296</p>	<p>MOMENTARY 2-SPEED WITH MECHANICAL INTERLOCKING</p>
N80T		<p>N80T 44</p>  <p>34322</p>	<p>MOMENTARY DUAL POLE MECHANICAL INTERLOCKING</p>
		 <p>34323</p>	<p>MOMENTARY 3-SPEED WITH MECHANICAL & ELECTRICAL INTERLOCKING</p>

SWITCHES

<p>Emergency stop(E-stop)</p>  <table border="1"> <thead> <tr> <th>Part NO.</th> <th>Contact</th> </tr> </thead> <tbody> <tr> <td>37122</td> <td>1O (1 N/O)</td> </tr> <tr> <td>34313</td> <td>1C (1 N/C)</td> </tr> <tr> <td>37123</td> <td>1O/C(N/O+N/C)</td> </tr> <tr> <td>37125</td> <td>2/O (2 N/O)</td> </tr> <tr> <td>37124</td> <td>2/C (2 N/C)</td> </tr> </tbody> </table>		Part NO.	Contact	37122	1O (1 N/O)	34313	1C (1 N/C)	37123	1O/C(N/O+N/C)	37125	2/O (2 N/O)	37124	2/C (2 N/C)	<p>Selector switch 3 position</p>  <table border="1"> <thead> <tr> <th>Part NO.</th> <th>Contact</th> </tr> </thead> <tbody> <tr> <td>37110</td> <td>1O/C(N/O+N/C)</td> </tr> <tr> <td>34320</td> <td>2/O (2 N/O)</td> </tr> <tr> <td>34319</td> <td>2/C (2 N/C)</td> </tr> </tbody> </table>		Part NO.	Contact	37110	1O/C(N/O+N/C)	34320	2/O (2 N/O)	34319	2/C (2 N/C)				
Part NO.	Contact																										
37122	1O (1 N/O)																										
34313	1C (1 N/C)																										
37123	1O/C(N/O+N/C)																										
37125	2/O (2 N/O)																										
37124	2/C (2 N/C)																										
Part NO.	Contact																										
37110	1O/C(N/O+N/C)																										
34320	2/O (2 N/O)																										
34319	2/C (2 N/C)																										
<p>Selector switch 2 position</p>  <table border="1"> <thead> <tr> <th>Part NO.</th> <th>Contact</th> </tr> </thead> <tbody> <tr> <td>37108</td> <td>1O (1 N/O)</td> </tr> <tr> <td>37107</td> <td>1C (1 N/C)</td> </tr> <tr> <td>34317</td> <td>1O/C(N/O+N/C)</td> </tr> <tr> <td>34318</td> <td>2/O (2 N/O)</td> </tr> <tr> <td>37109</td> <td>2/C (2 N/C)</td> </tr> </tbody> </table>		Part NO.	Contact	37108	1O (1 N/O)	37107	1C (1 N/C)	34317	1O/C(N/O+N/C)	34318	2/O (2 N/O)	37109	2/C (2 N/C)	<p>Contact</p>  <table border="1"> <thead> <tr> <th>Part NO.</th> <th>Contact</th> </tr> </thead> <tbody> <tr> <td></td> <td>1O (1 N/O)</td> </tr> <tr> <td></td> <td>1C (1 N/C)</td> </tr> <tr> <td></td> <td>1O/C(N/O+N/C)</td> </tr> <tr> <td></td> <td>2/O (2 N/O)</td> </tr> <tr> <td></td> <td>2/C (2 N/C)</td> </tr> </tbody> </table>		Part NO.	Contact		1O (1 N/O)		1C (1 N/C)		1O/C(N/O+N/C)		2/O (2 N/O)		2/C (2 N/C)
Part NO.	Contact																										
37108	1O (1 N/O)																										
37107	1C (1 N/C)																										
34317	1O/C(N/O+N/C)																										
34318	2/O (2 N/O)																										
37109	2/C (2 N/C)																										
Part NO.	Contact																										
	1O (1 N/O)																										
	1C (1 N/C)																										
	1O/C(N/O+N/C)																										
	2/O (2 N/O)																										
	2/C (2 N/C)																										
<p>Alternating switch 10A 125VAC. 6A250VAC</p>  <table border="1"> <thead> <tr> <th>Part NO.</th> <th>Contact</th> </tr> </thead> <tbody> <tr> <td>34299</td> <td>1O (1 N/O)</td> </tr> <tr> <td>34300</td> <td>1O/C(N/O+N/C)</td> </tr> <tr> <td>37126</td> <td>2/O (2 N/O)</td> </tr> </tbody> </table>		Part NO.	Contact	34299	1O (1 N/O)	34300	1O/C(N/O+N/C)	37126	2/O (2 N/O)	<p>Toqqle switch 10A 250VAC</p>  <table border="1"> <thead> <tr> <th>Part NO.</th> <th>Contact</th> </tr> </thead> <tbody> <tr> <td>1021</td> <td>2 Pole ON - OFF</td> </tr> <tr> <td>1121</td> <td>3 Pole ON - ON</td> </tr> <tr> <td>1122</td> <td>3 Pole ON - OFF - ON</td> </tr> <tr> <td>1221</td> <td>4 Pole ON - OFF</td> </tr> <tr> <td>1321</td> <td>6 Pole ON - ON</td> </tr> <tr> <td>1322</td> <td>6 Pole ON - OFF - ON</td> </tr> </tbody> </table>		Part NO.	Contact	1021	2 Pole ON - OFF	1121	3 Pole ON - ON	1122	3 Pole ON - OFF - ON	1221	4 Pole ON - OFF	1321	6 Pole ON - ON	1322	6 Pole ON - OFF - ON		
Part NO.	Contact																										
34299	1O (1 N/O)																										
34300	1O/C(N/O+N/C)																										
37126	2/O (2 N/O)																										
Part NO.	Contact																										
1021	2 Pole ON - OFF																										
1121	3 Pole ON - ON																										
1122	3 Pole ON - OFF - ON																										
1221	4 Pole ON - OFF																										
1321	6 Pole ON - ON																										
1322	6 Pole ON - OFF - ON																										
<p>Emergency stop</p>  <p>6A 120VAC 3A 240VAC</p> <table border="1"> <thead> <tr> <th>Part NO.</th> <th>Contact</th> </tr> </thead> <tbody> <tr> <td>LMS-22</td> <td>1/C (N/C)</td> </tr> <tr> <td>LMS-22</td> <td>1O/C (N/O+N/C)</td> </tr> </tbody> </table>	Part NO.	Contact	LMS-22	1/C (N/C)	LMS-22	1O/C (N/O+N/C)	<p>Emergency stop</p>  <p>6A 120VAC 3A 240VAC</p> <table border="1"> <thead> <tr> <th>Part NO.</th> <th>Contact</th> </tr> </thead> <tbody> <tr> <td>LEB-22</td> <td>1/C (N/C)</td> </tr> <tr> <td>LEB-22</td> <td>1O/C (N/O+N/C)</td> </tr> </tbody> </table>	Part NO.	Contact	LEB-22	1/C (N/C)	LEB-22	1O/C (N/O+N/C)	<p>Emergency stop</p>  <p>6A 120VAC 3A 240VAC</p> <table border="1"> <thead> <tr> <th>Part NO.</th> <th>Contact</th> </tr> </thead> <tbody> <tr> <td>LMB22-1/C</td> <td>(N/C)</td> </tr> <tr> <td>LMB22-1O/C</td> <td>(N/O+N/C)</td> </tr> </tbody> </table>	Part NO.	Contact	LMB22-1/C	(N/C)	LMB22-1O/C	(N/O+N/C)							
Part NO.	Contact																										
LMS-22	1/C (N/C)																										
LMS-22	1O/C (N/O+N/C)																										
Part NO.	Contact																										
LEB-22	1/C (N/C)																										
LEB-22	1O/C (N/O+N/C)																										
Part NO.	Contact																										
LMB22-1/C	(N/C)																										
LMB22-1O/C	(N/O+N/C)																										
<p>Key switch 6A 120VAC. 3A240VAC</p>  <table border="1"> <thead> <tr> <th>Part NO.</th> <th>Contact</th> </tr> </thead> <tbody> <tr> <td>KS22-1O/C</td> <td>(N/O+N/C)</td> </tr> <tr> <td colspan="2">2 position</td> </tr> <tr> <td>KS22-2/O</td> <td>(2 N/O)</td> </tr> </tbody> </table>		Part NO.	Contact	KS22-1O/C	(N/O+N/C)	2 position		KS22-2/O	(2 N/O)	<p>Selector switch 6A 120VAC. 3A240VAC</p>  <table border="1"> <thead> <tr> <th>Part NO.</th> <th>Contact</th> </tr> </thead> <tbody> <tr> <td>CS22-1/O</td> <td>(N/O)</td> </tr> <tr> <td>CS22-1O/C</td> <td>(N/O+N/C)</td> </tr> <tr> <td>CS22-2/O</td> <td>(2 N/O)</td> </tr> </tbody> </table>		Part NO.	Contact	CS22-1/O	(N/O)	CS22-1O/C	(N/O+N/C)	CS22-2/O	(2 N/O)								
Part NO.	Contact																										
KS22-1O/C	(N/O+N/C)																										
2 position																											
KS22-2/O	(2 N/O)																										
Part NO.	Contact																										
CS22-1/O	(N/O)																										
CS22-1O/C	(N/O+N/C)																										
CS22-2/O	(2 N/O)																										

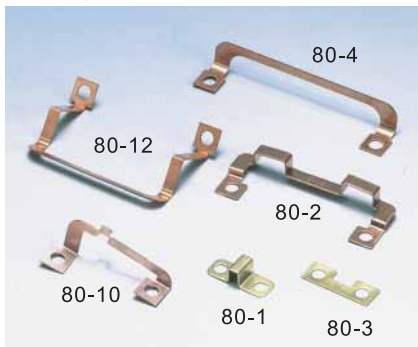
SWITCHES

<p>Single button</p>  <table border="1"> <thead> <tr> <th>Part NO.</th> <th>Contact</th> </tr> </thead> <tbody> <tr> <td>34306</td> <td>1 O (1 N/O)</td> </tr> <tr> <td>34305</td> <td>1 C (1 N/C)</td> </tr> <tr> <td>34307</td> <td>1 O/C (N/O+N/C)</td> </tr> <tr> <td>37199</td> <td>2/O (2 N/O)</td> </tr> <tr> <td>37114</td> <td>2/C (2 N/C)</td> </tr> <tr> <td>39868</td> <td>2 O/C(2N/O+2N/C)</td> </tr> </tbody> </table>	Part NO.	Contact	34306	1 O (1 N/O)	34305	1 C (1 N/C)	34307	1 O/C (N/O+N/C)	37199	2/O (2 N/O)	37114	2/C (2 N/C)	39868	2 O/C(2N/O+2N/C)	<p>Pilot light mounting hole 8mm ϕ</p>  <table border="1"> <thead> <tr> <th>Part NO.</th> <th>Contact</th> </tr> </thead> <tbody> <tr> <td>36087</td> <td>12V DC</td> </tr> <tr> <td>34315</td> <td>24V DC</td> </tr> <tr> <td>35293</td> <td>110V AC</td> </tr> <tr> <td>36082</td> <td>220V AC</td> </tr> </tbody> </table>	Part NO.	Contact	36087	12V DC	34315	24V DC	35293	110V AC	36082	220V AC
Part NO.	Contact																								
34306	1 O (1 N/O)																								
34305	1 C (1 N/C)																								
34307	1 O/C (N/O+N/C)																								
37199	2/O (2 N/O)																								
37114	2/C (2 N/C)																								
39868	2 O/C(2N/O+2N/C)																								
Part NO.	Contact																								
36087	12V DC																								
34315	24V DC																								
35293	110V AC																								
36082	220V AC																								
<p>Pilot light mounting hole 10mm ϕ</p>  <table border="1"> <thead> <tr> <th>Part NO.</th> <th>Contact</th> </tr> </thead> <tbody> <tr> <td>36088</td> <td>12V DC</td> </tr> <tr> <td>36081</td> <td>24V DC</td> </tr> <tr> <td>34316</td> <td>110V AC</td> </tr> <tr> <td>36083</td> <td>220V AC</td> </tr> </tbody> </table>	Part NO.	Contact	36088	12V DC	36081	24V DC	34316	110V AC	36083	220V AC	<p>Pilot light housing (one button space)</p>  <table border="1"> <thead> <tr> <th>Part NO.</th> <th>Contact</th> </tr> </thead> <tbody> <tr> <td>35181</td> <td>12V DC</td> </tr> <tr> <td>36042</td> <td>24V DC</td> </tr> <tr> <td>34303</td> <td>110V AC</td> </tr> <tr> <td>37581</td> <td>220V AC</td> </tr> </tbody> </table>	Part NO.	Contact	35181	12V DC	36042	24V DC	34303	110V AC	37581	220V AC				
Part NO.	Contact																								
36088	12V DC																								
36081	24V DC																								
34316	110V AC																								
36083	220V AC																								
Part NO.	Contact																								
35181	12V DC																								
36042	24V DC																								
34303	110V AC																								
37581	220V AC																								
<p>Push button switch for horn mounting hole 12 ϕ</p>  <table border="1"> <thead> <tr> <th>Part NO.</th> <th>Contact</th> </tr> </thead> <tbody> <tr> <td>34312</td> <td>1/O (N/O) 125V 3A 250V 1.5A</td> </tr> </tbody> </table>	Part NO.	Contact	34312	1/O (N/O) 125V 3A 250V 1.5A	<p>Variable position resistor</p>  <table border="1"> <thead> <tr> <th>Part NO.</th> <th>OHM</th> </tr> </thead> <tbody> <tr> <td>34314B</td> <td>1K</td> </tr> <tr> <td>34314D</td> <td>2K</td> </tr> <tr> <td>34314</td> <td>5K</td> </tr> <tr> <td>34314C</td> <td>10K</td> </tr> </tbody> </table>	Part NO.	OHM	34314B	1K	34314D	2K	34314	5K	34314C	10K										
Part NO.	Contact																								
34312	1/O (N/O) 125V 3A 250V 1.5A																								
Part NO.	OHM																								
34314B	1K																								
34314D	2K																								
34314	5K																								
34314C	10K																								
																									



PART NO.	CABLE GLAND SIZE	STYLE	CABLE BUSHING SIZE	BUSHING COLLARS
34411	7.5 ^{mm} DIA. ~ 10.5 ^{mm} DIA.	C1	7.5 ^{mm} DIA. ~ 13.5 ^{mm} DIA.	CABLE O.D. 7.5 ~ 19.5 ^{mm}
34412	10.3 ^{mm} DIA. ~ 13.5 ^{mm} DIA.			
34413	13.3 ^{mm} DIA. ~ 16.5 ^{mm} DIA.	C2	13.3 ^{mm} DIA. ~ 19.5 ^{mm} DIA.	
34414	16.3 ^{mm} DIA. ~ 19.5 ^{mm} DIA.			
34415	19.3 ^{mm} DIA. ~ 22.5 ^{mm} DIA.	C3	19.3 ^{mm} DIA. ~ 25.5 ^{mm} DIA.	CABLE O.D. 19.3 ~ 28.5 ^{mm}
34416	22.3 ^{mm} DIA. ~ 25.5 ^{mm} DIA.			
34417	25.3 ^{mm} DIA. ~ 28.5 ^{mm} DIA.	C4	25.3 ^{mm} DIA. ~ 28.5 ^{mm} DIA.	
39825	13.3 ^{mm} DIA. ~ 16.5 ^{mm} DIA.	C23	13.3 ^{mm} DIA. ~ 25.5 ^{mm} DIA.	CABLE O.D. 13.3 ~ 25.5 ^{mm}
39826	16.3 ^{mm} DIA. ~ 19.5 ^{mm} DIA.			
303C18		C18	14 ^{mm} DIA. ~ 18.4 ^{mm} DIA.	

Jumpers



PART NO.	STYLE	
34759	80-1	Internal use on 34294 & 34295 to connect 1 and 5
34760	80-2	Used to connect common between 1-speed. 2-speed. 3-speed on-off switches
34761	80-3	Internal use on all 2-speed switches to connect terminals 6 to 4 and 14 to 16
35538	80-4	External use on 3-speed sw. to connect terminal 18 of two adjacent 3-speed sw. Also use to connect terminal 8 of two adjacent 3-speed sw.
35540	80-10	
34992	80-12	Internal use on 2-speed sw. to connect 5 to 15

Blank plate
Part No. 34304

Blind rubber gasket with metal plate



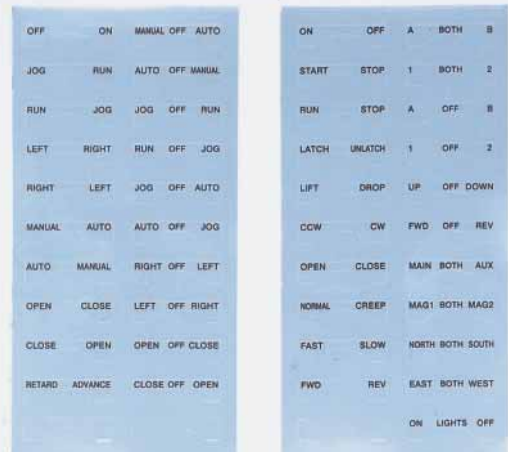
Legend sheet

Button legend



34326

Selector sw legend sheet



37228



漢鼎企業有限公司
AUSPICIOUS ELECTRICAL ENGINEERING CO., LTD.