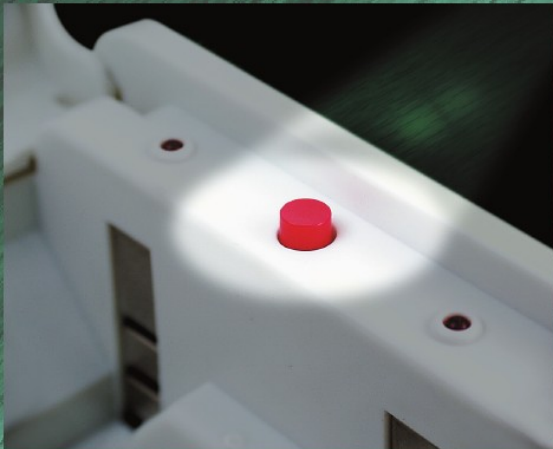
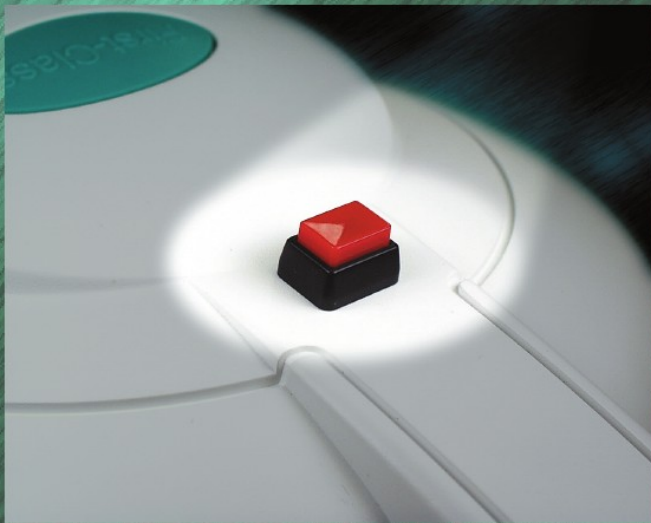


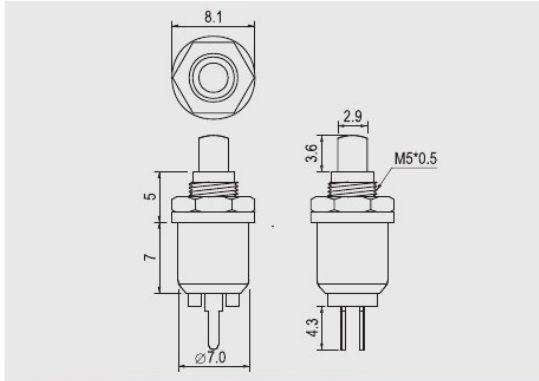
# R13 PUSH SWITCH

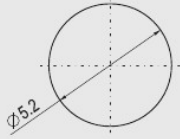
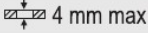
Switches



# R13-81

## Screw Type

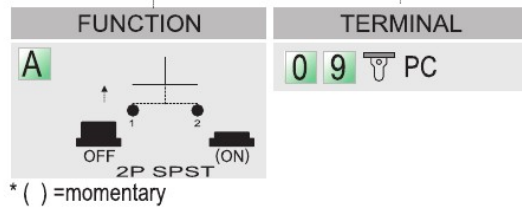


Rating	0.5A 125V AC
Contact resistance	50mΩ Max
Insulation resistance	DC 500V 100MΩ Min
Dielectric strength	AC 1500V 1 minute
Cut-out	
	

### FEATURES

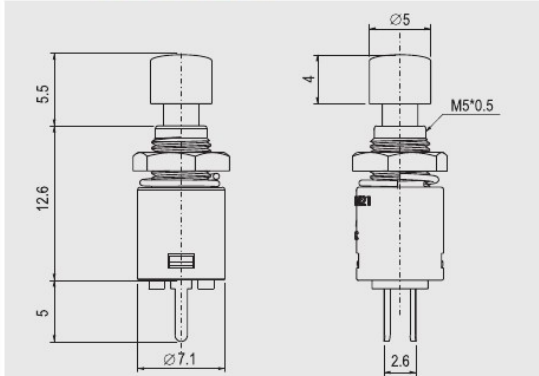
- \* MATERIAL: Frame is nickel plated brass. Base is PBT with fiber glass.
- \* Mounted by nut.

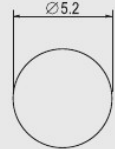
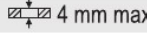
R13-81  - 



# R13-521

## Screw Type

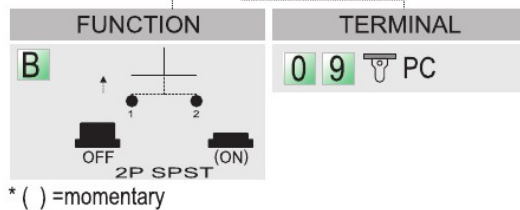


Rating	1A 125V AC 1A 250V AC
Contact resistance	50mΩ Max
Insulation resistance	DC 500V 100MΩ Min
Dielectric strength	AC 1000V 1 minute
Cut-out	
	

### FEATURES

- \* MATERIAL: Frame is nylon (UL flame: 94V-2). Actuators are ABS. Terminals are silver plated brass.
- \* Mounted by nut.

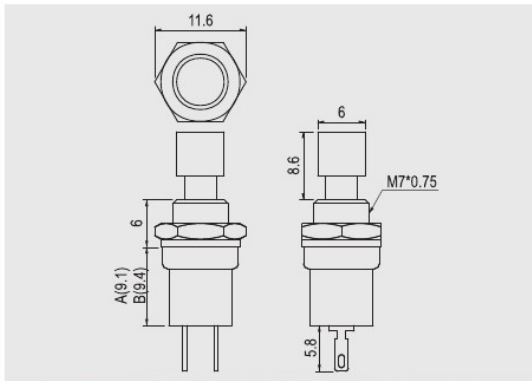
R13-521  - 





# R13-24

## Screw Type



Rating	3A 125V AC 1.5A 250V AC
Contact resistance	50mΩ Max
Insulation resistance	DC 500V 100MΩ Min
Dielectric strength	AC 1000V 1 minute
Cut-out	$\varnothing 7.2$ 4 mm max

### FEATURES

- \* MATERIAL: Actuator is PBT ( UL Frames: 94V-0). Frame is nickel plated metal. Base is phenolic.
- \* Actuator's size is optional.
- \* Mounted by nut.

# R13-24

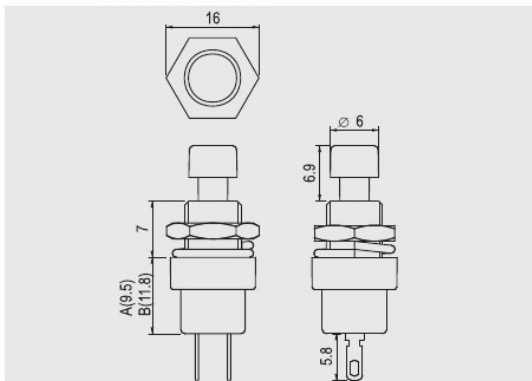
FUNCTION		BUTTON	TERMINAL
<b>A</b>		<input checked="" type="checkbox"/> $\varnothing 6*5.6$	<input type="checkbox"/> 0 <input checked="" type="checkbox"/> 5 <input type="checkbox"/> SO
<b>B</b>		<input type="checkbox"/> $\varnothing 10*8.5$	

\* ( ) =momentary



# R13-509

## Screw Type



Rating	3A 125V AC 1.5A 250V AC
Contact resistance	50mΩ Max
Insulation resistance	DC 500V 100MΩ Min
Dielectric strength	AC 1000V 1 minute
Cut-out	$\varnothing 7$ 3 mm max

### FEATURES

- \* MATERIAL: Actuator and Frame are nylon (UL flame: 94V-2). Terminals are silver plated brass. Base is phenolic.
- \* Mounted by nut.

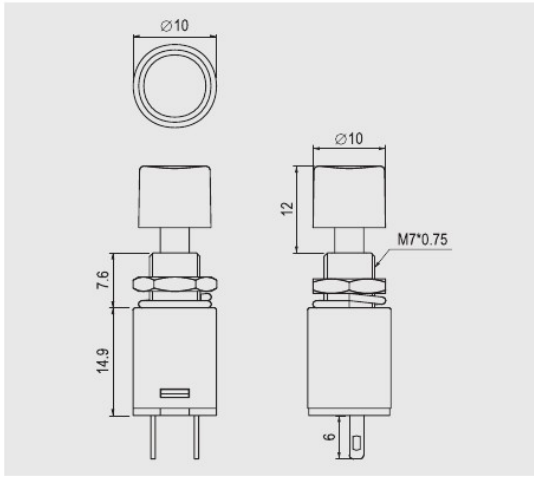
# R13-509

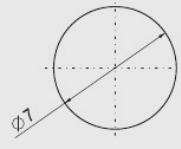
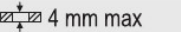
FUNCTION		TERMINAL
<b>A</b>		<input type="checkbox"/> 0 <input checked="" type="checkbox"/> 5 <input type="checkbox"/> SO
<b>B</b>		

\* ( ) =momentary

# R13-512

## Screw Type

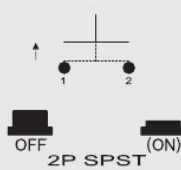


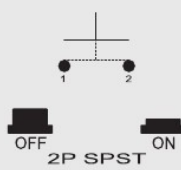



<b>Rating</b>
3A 125V AC 1.5A 250V AC
<b>Contact resistance</b>
50mΩ Max
<b>Insulation resistance</b>
DC 500V 100MΩ Min
<b>Dielectric strength</b>
AC 1500V 1 minute
<b>Cut-out</b>



### FEATURES

- \* MATERIAL: Frame is nylon (UL flame: 94V-2). Terminals are silver plated brass.
- \* Actuator's size is optional.
- \* Mounted by nut.

### R13-512 -

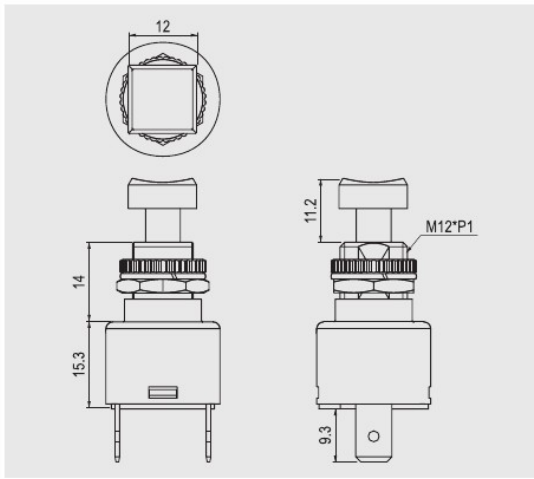
FUNCTION	BUTTON	TERMINAL
<b>A</b>  2P SPST	<b>1</b> Ø6*5.6 	<b>0 5</b>  SO
<b>B</b>  2P SPST	<b>2</b> Ø10*8.5 	

\* ( ) =momentary



# R13-513

## Screw Type



<b>Rating</b>
6A 125V AC 3A 250C AC
<b>Contact resistance</b>
50mΩ Max
<b>Insulation resistance</b>
DC 500V 100MΩ Min
<b>Dielectric strength</b>
AC 1000V 1 minute
<b>Cut-out</b>
10.8 5 mm max

### FEATURES

- \* MATERIAL: Actuator and Frame are nylon (UL flame 94V-2). Terminals are silver plated brass.
- \* Mounted by nut.

## R13-513

FUNCTION	BUTTON	TERMINAL
<b>A</b>  2P SPST (ON)	<b>1</b>  12.0 12.0	<b>0 1</b> .250" SQ
<b>B</b>  2P SPST (ON)	<b>2</b> $\varnothing 9.8$  9.8 9.8	
<b>C</b>  2P SPST (OFF)	<b>3</b>  16.0 16.0	
<b>D</b>  2P SPST (OFF)	<b>4</b> $\varnothing 16$  16 16	

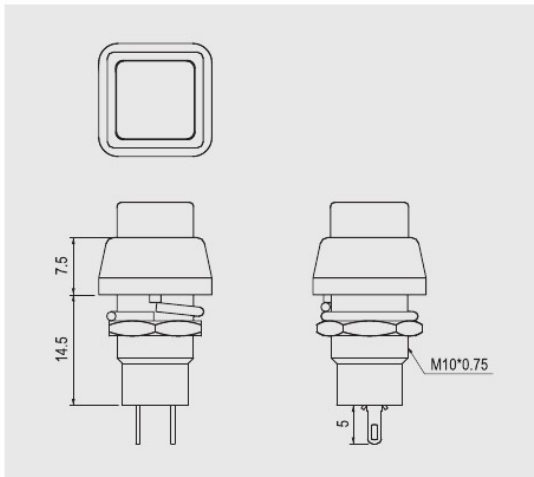
\* ( ) = momentary



THE SPECIFICATIONS & APPROVALS SUBJECT TO CHANGE WITHOUT NOTICE.

# R13-83 · 84 · 92 · 101

## Screw Type



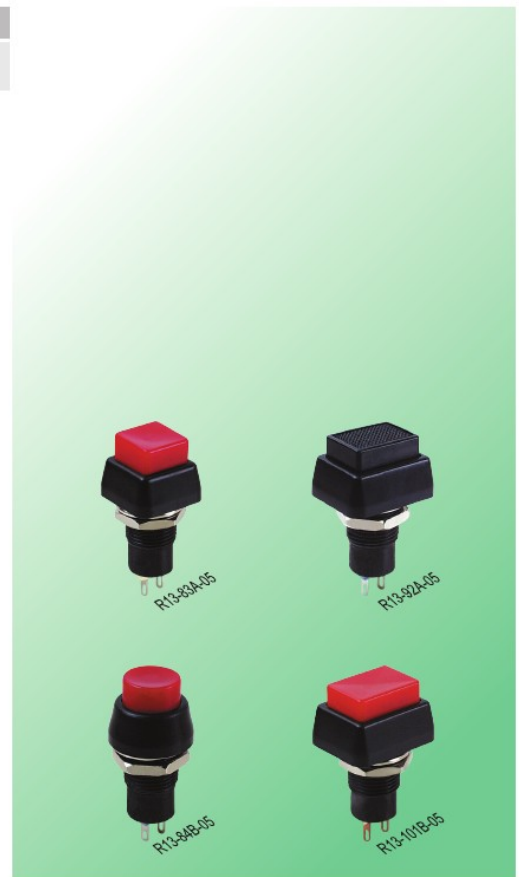
<b>Rating</b>	3A 125V AC 1A 250V AC
<b>Contact resistance</b>	50mΩ Max
<b>Insulation resistance</b>	DC 500V 100MΩ Min
<b>Dielectric strength</b>	AC 1500V 1 minute
<b>Cut-out</b>	
	3 mm max

### FEATURES

- \* MATERIAL: Frame is ABS (UL flame: 94HB). Terminals are silver plated brass. Base is phenolic.
- \* Mounted by nut.

### R13- -

BUTTON	FUNCTION	TERMINAL
<b>8 3</b> 	<b>A</b> 	<b>0 5</b> SO
<b>8 4</b> 	<b>B</b> 	
<b>9 2</b> 	* ( ) = momentary	
<b>1 0 1</b> 		

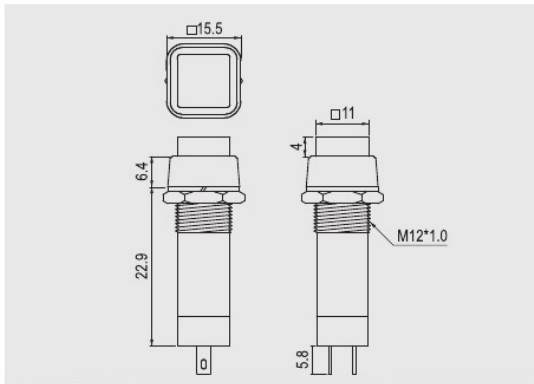


THE DRAWING IS FOR REFERENCE ONLY.

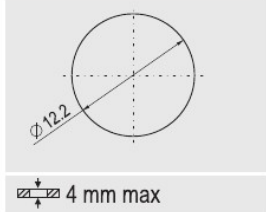


# R13-23

## Screw Type



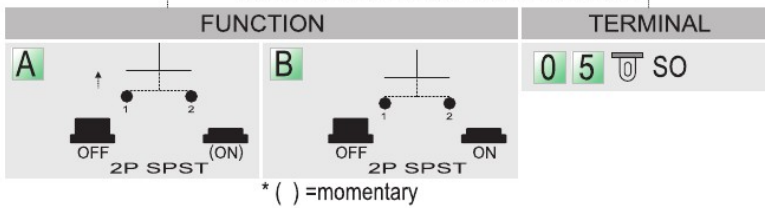
<b>Rating</b>
3A 125V AC 1.5A 250V AC
<b>Contact resistance</b>
50mΩ Max
<b>Insulation resistance</b>
DC 500V 100MΩ Min
<b>Dielectric strength</b>
AC 1000V 1 minute
<b>Cut-out</b>



### FEATURES

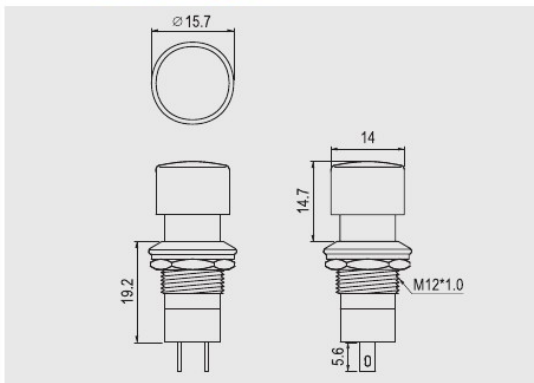
- \* MATERIAL: Actuator is ABS ( UL Frames: 94HB). Base is phenolic.
- \* Mounted by nut.

R13-23 ■ - ■ ■

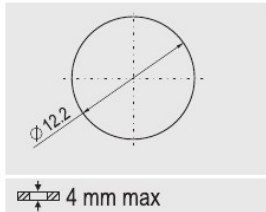


# R13-40

## Screw Type



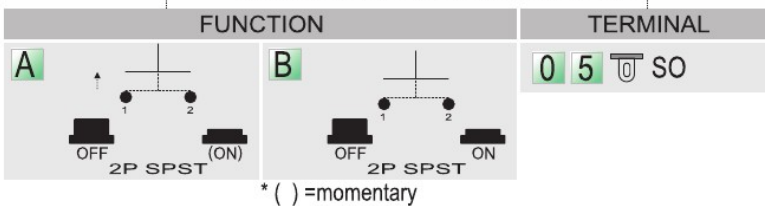
<b>Rating</b>
3A 125V AC 1.5A 250V AC
<b>Contact resistance</b>
50mΩ Max
<b>Insulation resistance</b>
DC 500V 100MΩ Min
<b>Dielectric strength</b>
AC 1000V 1 minute
<b>Cut-out</b>



### FEATURES

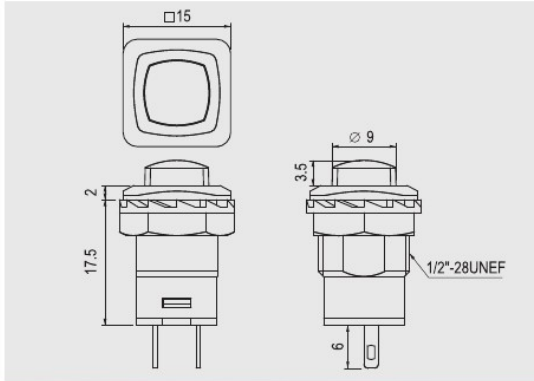
- \* MATERIAL: Actuator is ABS (UL Frames: 94HB). Base is phenolic.
- \* Mounted by nut.

R13-40 ■ - ■ ■



# R13-511

## Screw Type

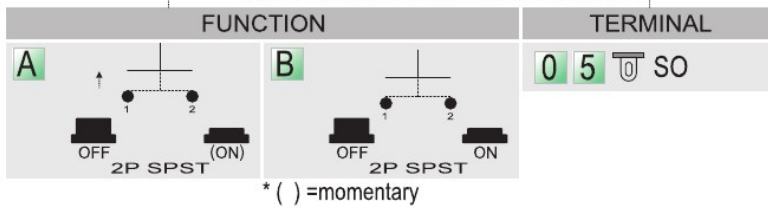


Rating	3A 125V AC 1.5A 250V AC
Contact resistance	50mΩ Max
Insulation resistance	DC 500V 100MΩ Min
Dielectric strength	AC 1500V 1 minute
Cut-out	5 mm max

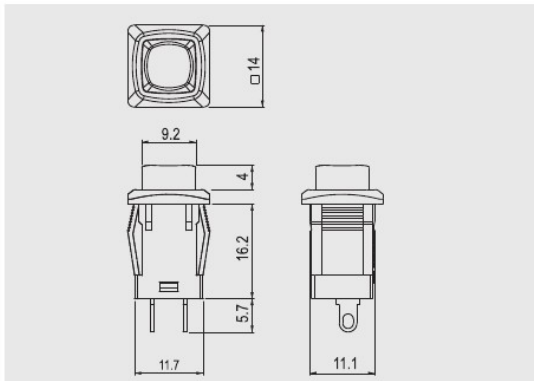
### FEATURES

- \* MATERIAL: Frame is nylon with glass fiber (UL flame: 94V-2). Terminals are silver plated brass.
- \* Mounted by nut.

# R13-511



# R13-536

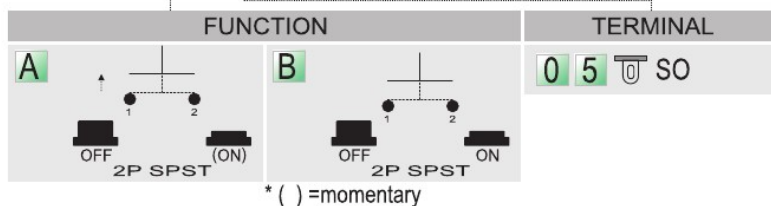


Rating	3A 125V AC 1.5A 250V AC
Contact resistance	50mΩ Max
Insulation resistance	DC 500V 100MΩ Min
Dielectric strength	AC 1000V 1 minute
Cut-out	1~4.5 mm max

### FEATURES

- \* MATERIAL: Frame and Actuator are nylon (UL flame: 94V-2). Terminals are silver plated brass.
- \* Snap in mounting, easy to install switch into panel.

# R13-536

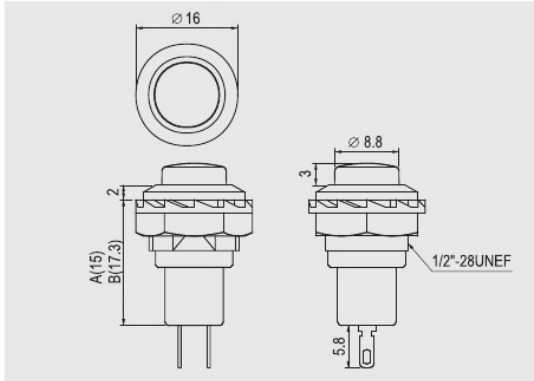


THE DRAWING IS FOR REFERENCE ONLY.

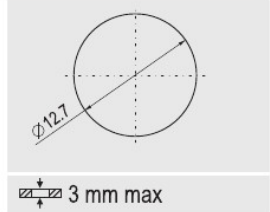


# R13-502

## Screw Type



Rating	3A 125V AC 1.5A 250V AC
Contact resistance	50mΩ Max
Insulation resistance	DC 500V 100MΩ Min
Dielectric strength	AC 1000V 1 minute
Cut-out	



### FEATURES

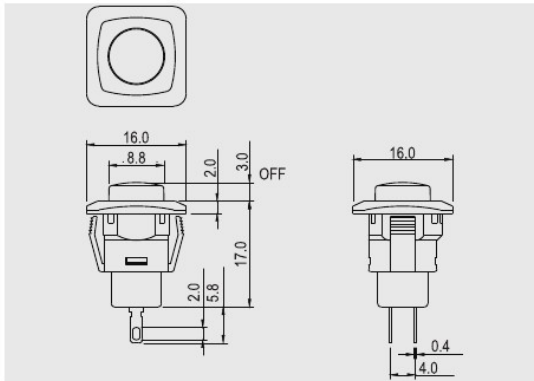
- \* MATERIAL: Frame is nylon (UL flame: 94V-2). Terminals are silver plated brass.
- \* M types are metal frame, nickel plated brass.
- \* Mounted by nut.

## R13-502

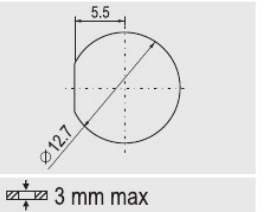
BODY	FUNCTION	TERMINAL
<input checked="" type="checkbox"/> Plastic Body 	<b>A</b>  2P SPST <b>C</b>  3P SPDT (Only for R13-502MC) * ( ) =momentary	0 5  SO
<input type="checkbox"/> Metal Body 	<b>B</b>  2P SPST	



# R13-510



Rating	3A 125V AC 1.5A 250V AC
Contact resistance	50mΩ Max
Insulation resistance	DC 500V 100MΩ Min
Dielectric strength	AC 1000V 1 minute
Cut-out	



### FEATURES

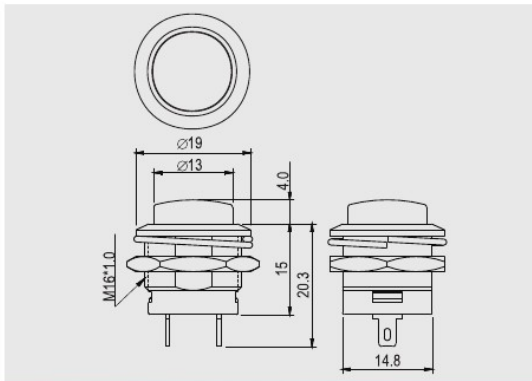
- \* MATERIAL: Frame is nylon (UL flame: 94V-2). Terminals are silver plated brass.
- \* Snap in mounting, easy to install switch into panel.

## R13-510

FUNCTION	TERMINAL
<b>A</b>  2P SPST <b>B</b>  2P SPST * ( ) =momentary	0 3  .110" SQ 0 5  SO

# R13-507

## Screw Type



<b>Rating</b>
6A 125V AC 3A 250V AC
<b>Contact resistance</b>
50mΩ Max
<b>Insulation resistance</b>
DC 500V 100MΩ Min
<b>Dielectric strength</b>
AC 1000V 1 minute
<b>Cut-out</b>
 6 mm max

### FEATURES

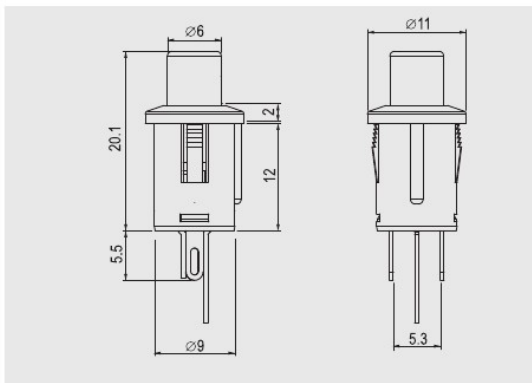
- \* MATERIAL: Frame is nylon glass fiber (UL flame: 94HB), bezel is PBT. Terminals are silver plated brass.
- \* M type are metal frame, nickel plated brass.
- \* Mounted by nut.

## R13-507

BODY		FUNCTION	TERMINAL
<input checked="" type="checkbox"/> Plastic Body	<input checked="" type="checkbox"/> Metal Body	<b>A</b>  2P SPST (ON)	<b>0 5</b> SO

\* ( ) = momentary

# R13-529



<b>Rating</b>
1A 125V AC 0.5A 250V AC
<b>Contact resistance</b>
50mΩ Max
<b>Insulation resistance</b>
DC 500V 100MΩ Min
<b>Dielectric strength</b>
AC 1000V 1 minute
<b>Cut-out</b>
 0.5~2.0 mm max

### FEATURES

- \* MATERIAL: Frame is nylon with glass fiber (UL flame: 94HB). Terminals are silver plated brass.
- \* Illuminated actuator are molded in PC, available with red, amber, green, blue and white colors.
- \* Snap-in mounting, easy to install switch into panel.

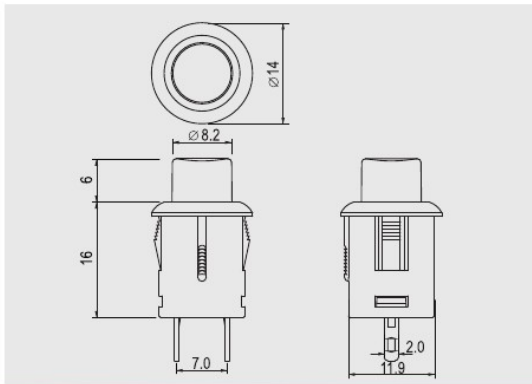
## R13-529

FUNCTION		BUTTON	TERMINAL
<b>A</b>  2P SPST (ON)	<b>B</b>  2P SPST (ON)	<input checked="" type="checkbox"/> W/O LED <input type="checkbox"/> With LED (regular rating)	<b>0 5</b> SO

\* ( ) = momentary

THE DRAWING IS FOR REFERENCE ONLY.

# R13-548



<b>Rating</b>	3A 125V AC 1.5A 250V AC
<b>Contact resistance</b>	50mΩ Max
<b>Insulation resistance</b>	DC 500V 100MΩ Min
<b>Dielectric strength</b>	AC 1500V 1 minute
<b>Cut-out</b>	 3 mm max

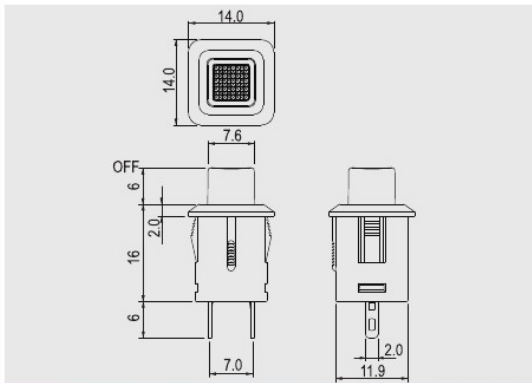
## FEATURES

- \* MATERIAL: Frame is nylon (UL flame: 94V-2). Terminals are silver plated brass.
- \* Illuminated actuators are molded in PC, available with red, amber, green, blue and white colors.
- \* Snap-in mounting, easy to install switch into panel.
- \* Same mounting hole as R13-554, but in different shape of bezel and button.

# R13-548

FUNCTION				TERMINAL
<b>A</b>	<b>A L</b>	<b>B</b>	<b>B L</b>	<b>0 5</b> <b>SO</b>
				* ( ) =momentary

# R13-554



<b>Rating</b>	3A 125V AC 1.5A 250V AC
<b>Contact resistance</b>	50mΩ Max
<b>Insulation resistance</b>	DC 500V 100MΩ Min
<b>Dielectric strength</b>	AC 1500V 1 minute
<b>Cut-out</b>	 0.7~3 mm max

## FEATURES

- \* MATERIAL: Frame is nylon (UL flame: 94V-2). Terminals are silver plated brass.
- \* Illuminated actuators are molded in PC, available with red, amber, green, blue and white colors.
- \* Snap-in mounting, easy to install switch into panel.
- \* Same mounting hole as R13-548, but in different shape of bezel and button.

# R13-554

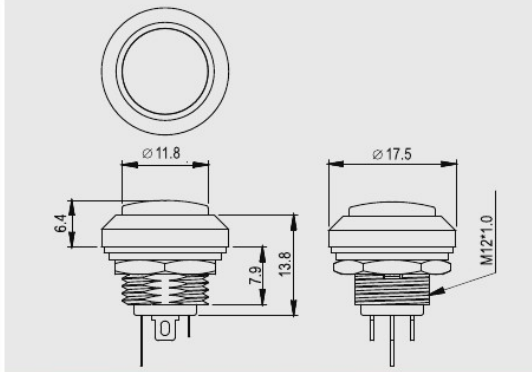
FUNCTION				TERMINAL
<b>A</b>	<b>A L</b>	<b>B</b>	<b>B L</b>	<b>0 5</b> <b>SO</b>
				* ( ) =momentary



# R13-556

## Screw Type

IP67

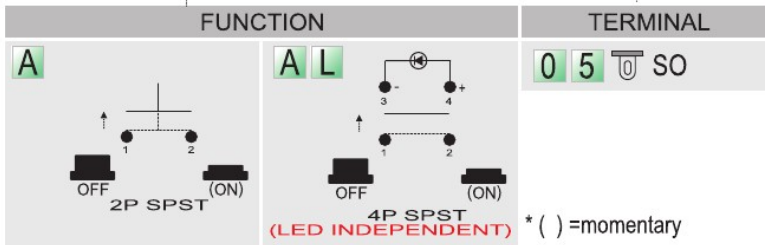


Rating	400mA 32V AC 125mA 125V AC
Contact resistance	50mΩ Max
Insulation resistance	DC 500V 100MΩ Min
Dielectric strength	AC 1000V 1 minute
Cut-out	 1.5~4.0 mm max

### FEATURES

- \* MATERIAL: Frame is nylon (UL flame: 94V-2). Terminals are silver plated brass.
- \* Illuminated actuators are molded in PC, available with red, amber, green, blue and white colors.
- \* Mounted by nut.
- \* Same mounting hole as R13-563, but in different shape of bezel and button.

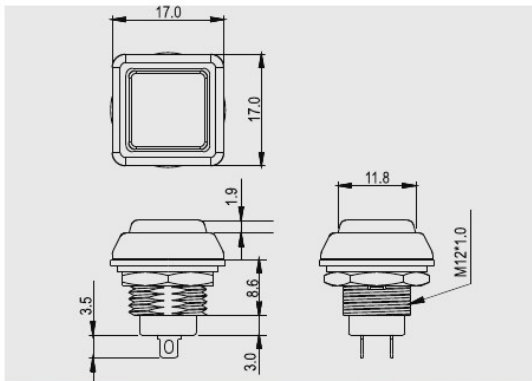
# R13-556



# R13-563

## Screw Type

IP67

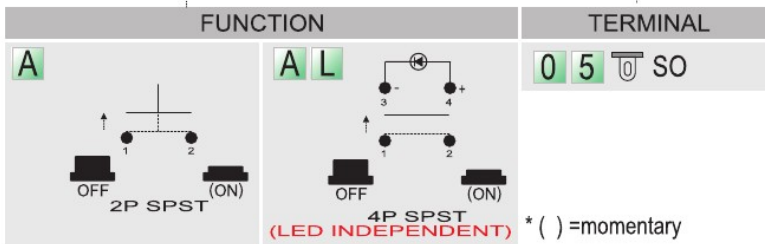


Rating	400mA 32V AC 125mA 125V AC
Contact resistance	50mΩ Max
Insulation resistance	DC 500V 100MΩ Min
Dielectric strength	AC 1000V 1 minute
Cut-out	 1.5~4.0 mm max

### FEATURES

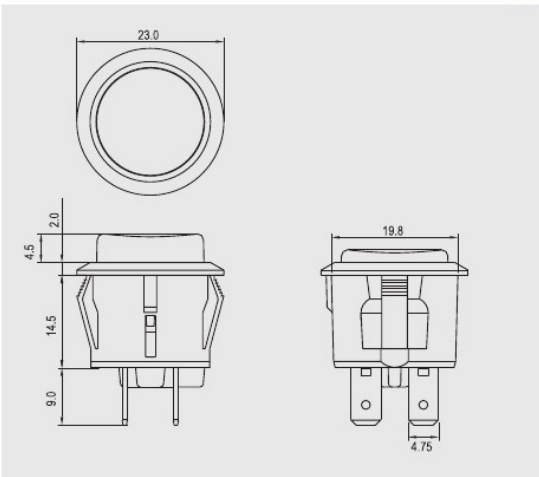
- \* MATERIAL: Frame is nylon (UL flame: 94V-2). Terminals are silver plated brass.
- \* Illuminated actuators are molded in PC, available with red, amber, green, blue and white colors.
- \* Mounted by nut.
- \* Same mounting hole as R13-556, but in different shape of bezel and button.

# R13-563

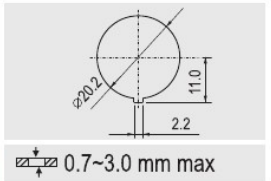


THE DRAWING IS FOR REFERENCE ONLY.

# R13-527



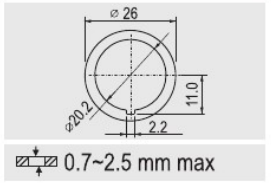
<b>Rating</b>
10A 125V/6A 250V AC 1/2HP 125V-250V AC
<b>Contact resistance</b>
50mΩ Max
<b>Insulation resistance</b>
DC 500V 100MΩ Min
<b>Dielectric strength</b>
AC 1000V 1 minute
<b>Cut-out</b>



## FEATURES

- \* MATERIAL: Frame is nylon (UL flame:94V-2). Terminals are silver plated brass.
- \* Illuminated actuators are molded in PC, available with red, amber, green, blue and white colors.
- \* Snap-in mounting, easy to install switch into panel.
- \* Watertight and dustproof to fit IP65.

## Cut-out for X2 BUTTON



BUTTON	
A/AL	A2/A2L
B/BL	B2/B2L
C/CB	C2/C2B
CL	C2L
D/DB	D2/D2B
DL	D2L
ASL	
B5L	
CSB	
CSL	
D5L	
D5B	

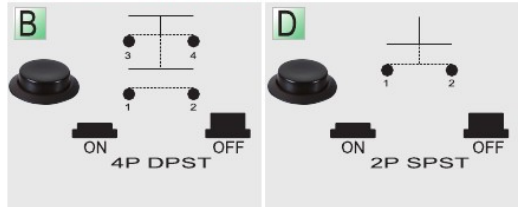


THE SPECIFICATIONS & APPROVALS SUBJECT TO CHANGE WITHOUT NOTICE.

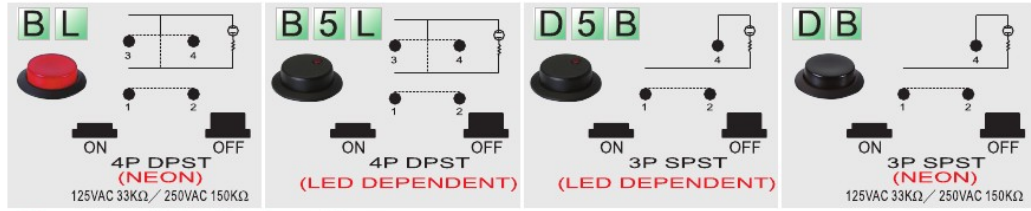
## Ordering number instruction

R13-527 ■■■ - ■■

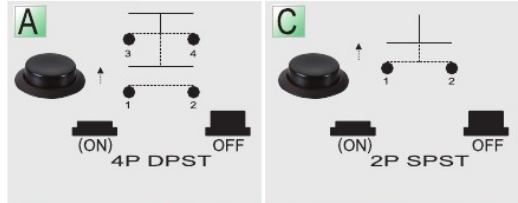
FUNCTION	TERMINAL
Non-illuminated button (不帶燈)	0 2  .187" SQ



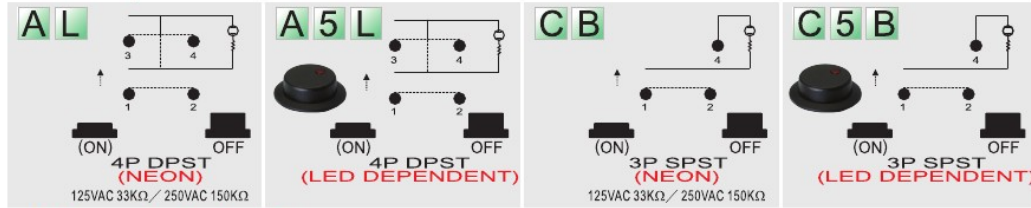
### Illuminated / Different button (帶燈/按鈕不同)



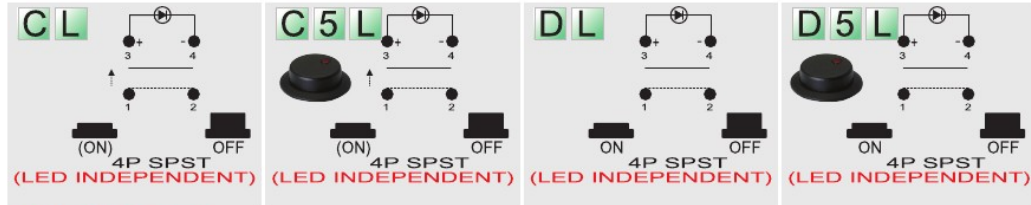
### Momentary / Non-illuminated button (彈回/不帶燈)



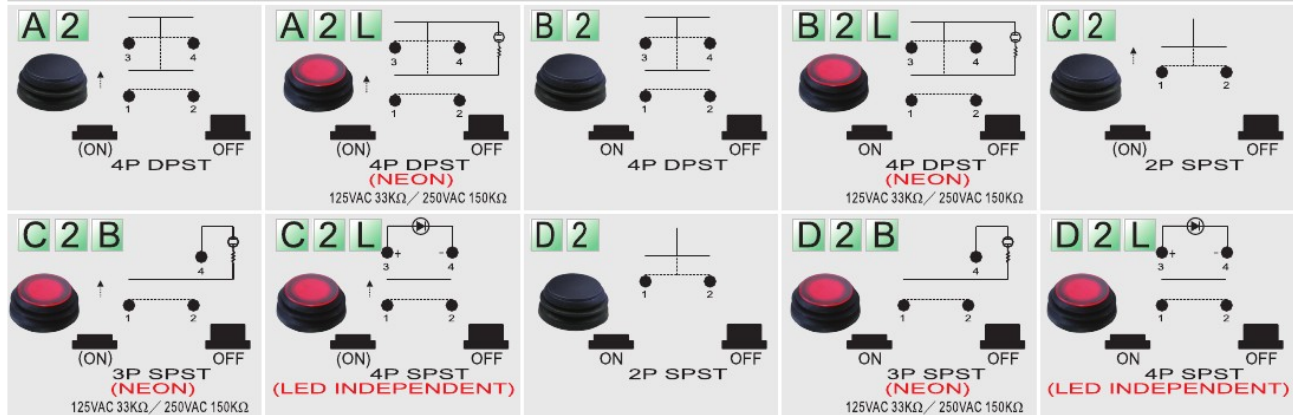
### Momentary / Non-illuminated / Different button (彈回/不帶燈/按鈕不同)



### Independent circuit (獨立迴路)



### Watertight (防水)

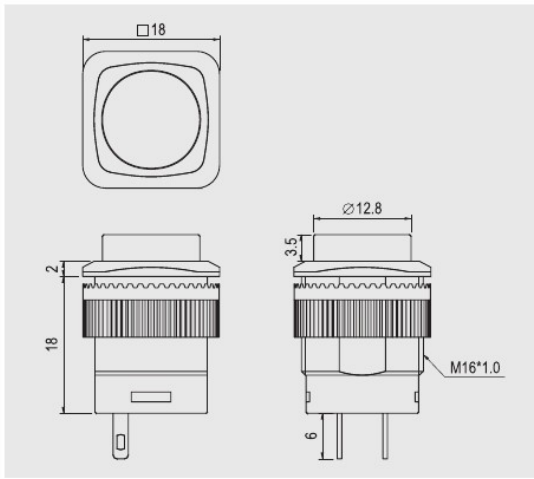


THE DRAWING IS FOR REFERENCE ONLY.

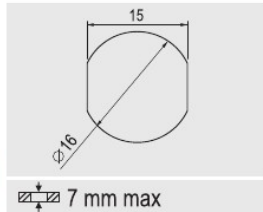


# R13-508

## Screw Type



<b>Rating</b>	3A 125V AC 1.5A 250V AC
<b>Contact resistance</b>	50mΩ Max
<b>Insulation resistance</b>	DC 500V 100MΩ Min
<b>Dielectric strength</b>	AC 1500V 1 minute
<b>Cut-out</b>	



### FEATURES

- \* MATERIAL: Frame is nylon with glass fiber (UL flame: 94V-2). Terminals are silver plated brass.
- \* Illuminated actuator are molded in PC, available with red, amber, green, blue and white colors.
- \* Mounted by nut.

## R13-508

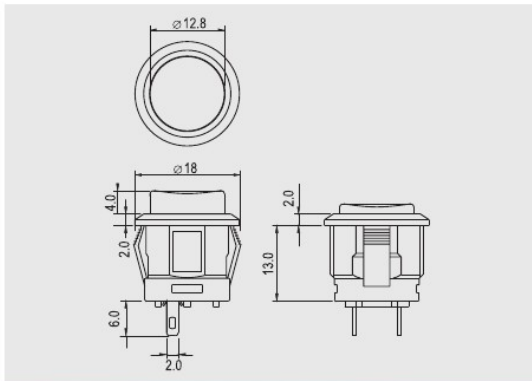
FUNCTION		BUTTON	TERMINAL
<b>A</b> <p>OFF 2P SPST (ON)</p>	<b>CL</b> <p>OFF 3P SPST (LED DEPENDENT)</p>	<p>A, AL, B BL</p>	<b>0 5</b> SO
<b>AL</b> <p>OFF 4P SPST (LED INDEPENDENT)</p>	<b>DL</b> <p>OFF 3P SPST (LED DEPENDENT)</p>	<b>2</b> <p>A, AL, B BL, CL,DL</p>	
<b>B</b> <p>OFF 2P SPST (ON)</p>			
<b>BL</b> <p>OFF 4P SPST (ON)</p> <p>(LED INDEPENDENT)</p>			

\* ( ) = momentary



THE SPECIFICATIONS & APPROVALS SUBJECT TO CHANGE WITHOUT NOTICE.

# R13-523



<b>Rating</b>	3A 125V AC 1.5A 250V AC
<b>Contact resistance</b>	50mΩ Max
<b>Insulation resistance</b>	DC 500V 100MΩ Min
<b>Dielectric strength</b>	AC 1500V 1 minute
<b>Cut-out</b>	 0.75~3.0 mm

## FEATURES

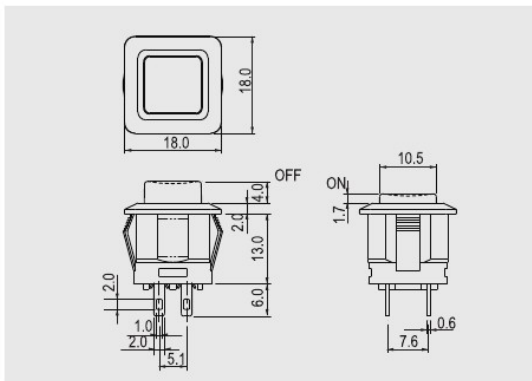
- \* MATERIAL: Frame is nylon (UL flame: 94V-2). Terminals are silver plated brass.
- \* Illuminated actuators are molded in PC, available with red, amber, green, blue and white colors.
- \* Snap-in mounting, easy to install switch into panel.
- \* Same mounting hole as R13-555, but in different shape of bezel and button.

## R13-523

FUNCTION		BUTTON	TERMINAL
<b>A</b>		<input checked="" type="checkbox"/> W/O LED	<b>0 5</b> SO
<b>B</b>		<input type="checkbox"/> With LED (LED INDEPENDENT)	

\* ( ) =momentary

# R13-555



<b>Rating</b>	3A 125V AC 1.5A 250V AC
<b>Contact resistance</b>	50mΩ Max
<b>Insulation resistance</b>	DC 500V 100MΩ Min
<b>Dielectric strength</b>	AC 1500V 1 minute
<b>Cut-out</b>	 0.75~3.0 mm

## FEATURES

- \* MATERIAL: Frame is nylon (UL flame: 94V-2). Terminals are silver plated brass.
- \* Illuminated actuators are molded in PC, available with red, amber, green, blue and white colors.
- \* Snap-in mounting, easy to install switch into panel.
- \* Same mounting hole as R13-523, but in different shape of bezel and button.

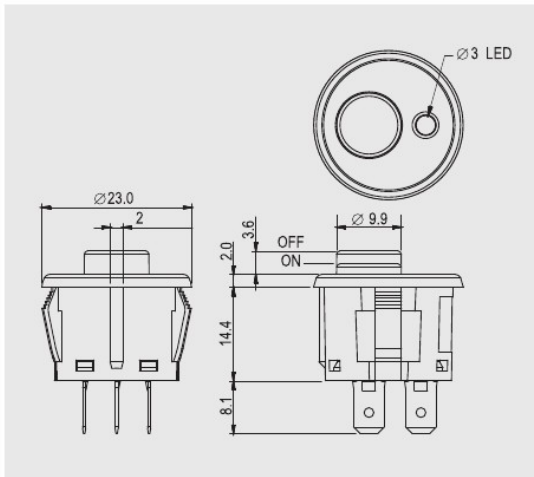
## R13-555

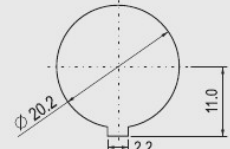

FUNCTION		BUTTON	TERMINAL
<b>A</b>		<input checked="" type="checkbox"/> W/O LED	<b>0 5</b> SO
<b>B</b>		<input type="checkbox"/> With LED (LED INDEPENDENT)	

\* ( ) =momentary

THE DRAWING IS FOR REFERENCE ONLY.

# R13-559

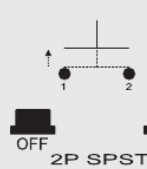

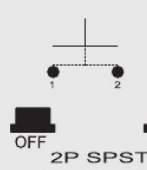



<b>Rating</b>	6A 125V AC 3A 250V AC
<b>Contact resistance</b>	50mΩ Max
<b>Insulation resistance</b>	DC 500V 100MΩ Min
<b>Dielectric strength</b>	AC 1500V 1 minute
<b>Cut-out</b>	
	 0.7~3 mm max

## FEATURES

- \* MATERIAL: Frame is nylon (UL flame: 94V-2). Terminals are silver plated brass.
- \* Dual LED color lighting for shifting to standby and actuate.
- \* Snap-in mounting, easy to install switch into panel.

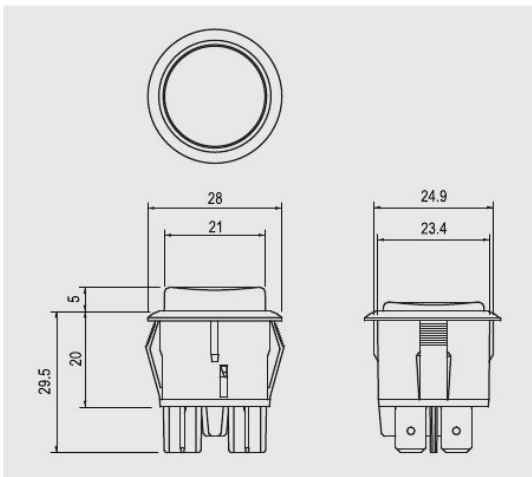
R13-559 

<b>FUNCTION</b>	<b>BUTTON</b>	<b>FRAME COLOR</b>	<b>LEGEND</b>
<b>A</b> 	<b>1</b> 	<b>ACTUATOR COLOR</b>	<b>N</b> NONE
<b>B</b> 	<b>TERMINAL</b>	<b>LED LENS COLOR</b>	<b>LIGHT CIRCUIT</b>
	<b>1 3</b>  .187" SQ	<b>COLOR</b>	<b>D</b> LED DEPENDENT
		<b>A</b> AMBER	<b>I</b> LED INDEPENDENT
		<b>B</b> BLACK	<b>LED COLOR (ON POSITION)</b>
		<b>G</b> GREEN	<b>LED COLOR (OFF POSITION)</b>
		<b>L</b> BLUE	<b>ACTUATOR MARKING</b>
		<b>R</b> RED	Optional legend on actuator, see page A4.
		<b>W</b> WHITE	
		<b>N</b> NONE	
			<b>VOLTAGE</b>
			<b>4</b> 125VAC(110VAC)
			<b>5</b> 250VAC(220VAC)

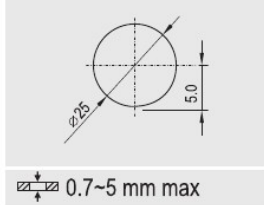
\* ( ) =momentary



# R13-541



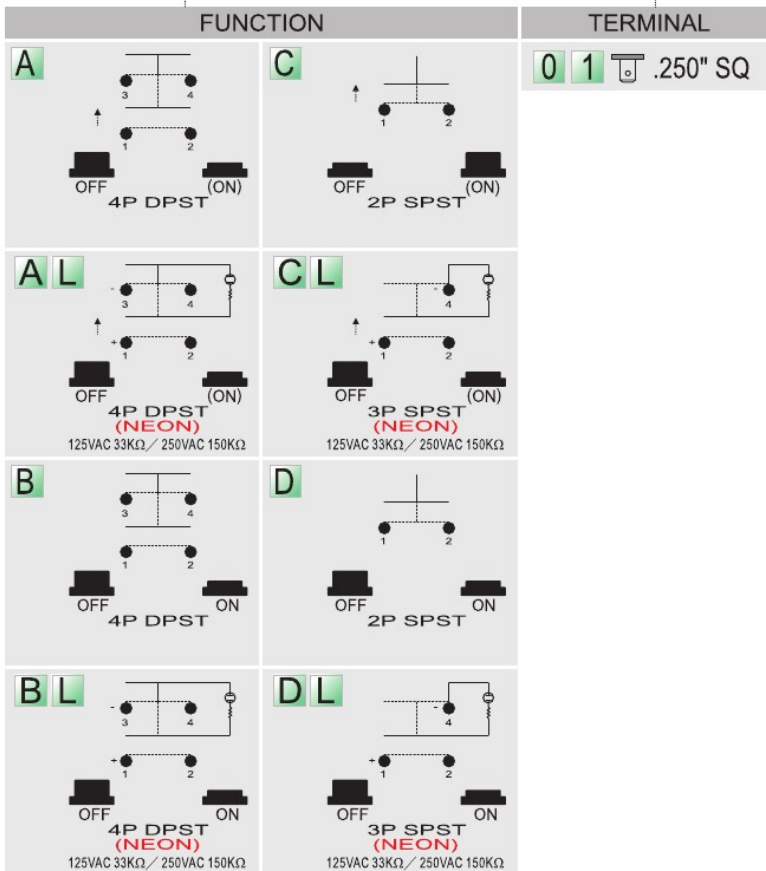
<b>Rating</b>	16A 125V AC 1/2HP 16A 250V AC 1HP
<b>Contact resistance</b>	50mΩ Max
<b>Insulation resistance</b>	DC 500V 100MΩ Min
<b>Dielectric strength</b>	AC 1500V 1 minute
<b>Cut-out</b>	



## FEATURES

- \* MATERIAL: Frame is nylon (UL flame: 94V-2). Terminals are silver plated brass.
- \* Illuminated actuators are molded in PC, available with red, amber, green, blue and white colors.
- \* Snap-in mounting, easy to install switch into panel.

## R13-541 -



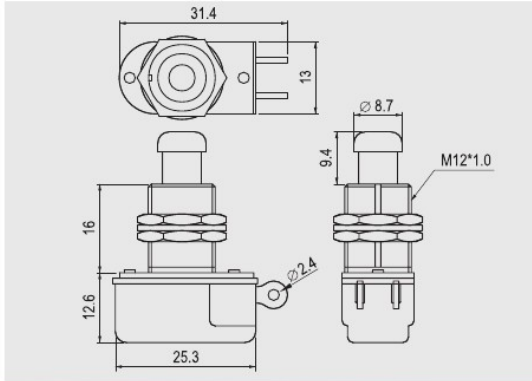
\* ( ) = momentary

THE DRAWING IS FOR REFERENCE ONLY.



# R13-85

## Metal Bushing / Screw Type



<b>Rating</b>
6A 125V AC 3A 250V AC
<b>Contact resistance</b>
50mΩ Max
<b>Insulation resistance</b>
DC 500V 100MΩ Min
<b>Dielectric strength</b>
AC 1500V 1 minute
<b>Cut-out</b>
 4 mm max

### FEATURES

- \* MATERIAL: Frame is stainless plate. Bushing and toggle are nickel plated metal. Base is phenolic.
- \* Mounted by nut.

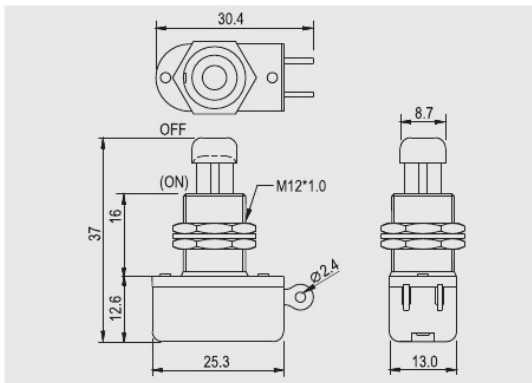
R13-85

FUNCTION	BUTTON TYPE and DIM		TERMINAL	
<b>A</b>  OFF 2P SPST (ON)	<b>1</b> BUTTON: brass with Ni plated A Dim: push on: 8.6 push off: 7.9 	<b>3</b> BUTTON: brass with Ni plated A Dim: push on: 8.5 push off: 7.8 	<b>0 5</b> SO <b>0 8</b> SC 6-32UNC	<b>1 1</b> WIRE <small>for R13-85B</small>
	<b>B</b>  ON 2P SPST (OFF)	<b>2</b> BUTTON: brass with Ni plated A Dim: push on: 9.5 push off: 8.8 	<b>4</b> BUTTON: nylon A Dim: push on: 6.5 push off: 5.8 	

\* ( ) =momentary

# R13-551

## Plastic Bushing / Screw Type



<b>Rating</b>
6A 125V AC 3A 250V AC
<b>Contact resistance</b>
50mΩ Max
<b>Insulation resistance</b>
DC 500V 100MΩ Min
<b>Dielectric strength</b>
AC 1500V 1 minute
<b>Cut-out</b>
 4 mm max

### FEATURES

- \* MATERIAL: Frame is nylon with glass fiber ( UL flame: 94V-0). Terminals are silver plated brass. Base is phenolic.
- \* Plastic button, available with various colors.
- \* Mounted by nut.

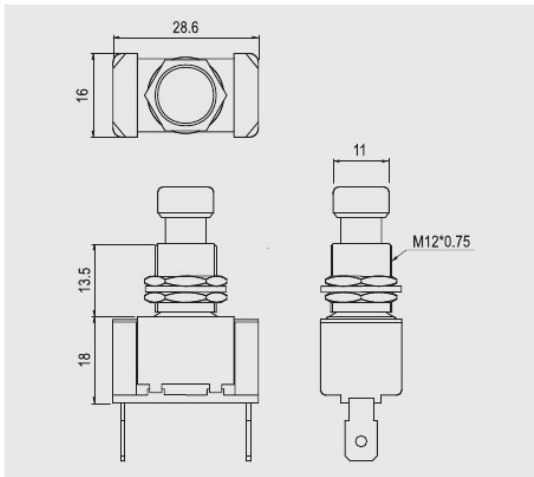
R13-551

FUNCTION	TERMINAL
<b>A</b>  OFF 2P SPST (ON)	<b>0 5</b> SO

\* ( ) =momentary

# Screw Type

## R13-41



<b>Rating</b>	10A 125V AC 6A 250V AC
<b>Contact resistance</b>	50mΩ Max
<b>Insulation resistance</b>	DC 500V 100MΩ Min
<b>Dielectric strength</b>	AC 1000V 1 minute
<b>Cut-out</b>	4 mm max

### FEATURES

- \* MATERIAL: Actuator and Bushing are nickel plated metal. Base is phenolic.
- \* Mounted by nut.

## R13-41 -

FUNCTION	BUTTON	TERMINAL
<b>A</b>  OFF 2P SPST ON	 11 	0 1  .250" SQ
		0 5  SO
		0 6  SC 3
		0 7  SC 4
<b>C</b>  ON 3P SPDT ON	<b>2</b>  10.4 12.3 	0 8  SC 6-32UNC

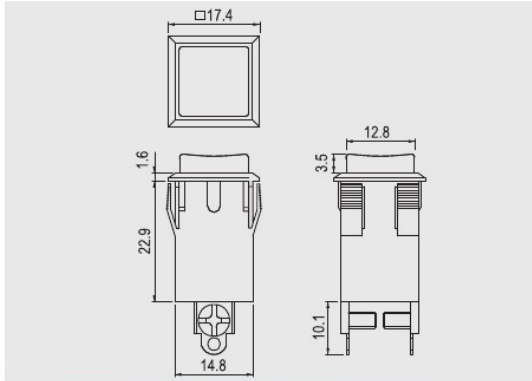
\* ( ) =momentary



THE DRAWING IS FOR REFERENCE ONLY.



# R13-51



<b>Rating</b>	1A 125V AC 0.5A 250V AC
<b>Contact resistance</b>	50mΩ Max
<b>Insulation resistance</b>	DC 500V 100MΩ Min
<b>Dielectric strength</b>	AC 1000V 1 minute
<b>Cut-out</b>	

## FEATURES

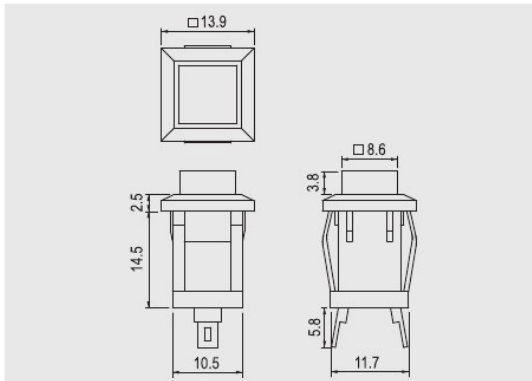
- \* MATERIAL: Frame and Actuator are nylon (UL flame: 94V-2). Terminals are silver plated brass.
- \* Snap in mounting, easy to install switch into panel.

## R13-51 -

FUNCTION	TERMINAL
<b>A</b> 2P SPST (ON)	<b>0 7</b> SC 4 <b>1 2</b> SO

\* ( ) =momentary

# R13-57



<b>Rating</b>	1A 125V AC 0.5A 250V AC
<b>Contact resistance</b>	50mΩ Max
<b>Insulation resistance</b>	DC 500V 100MΩ Min
<b>Dielectric strength</b>	AC 1000V 1 minute
<b>Cut-out</b>	

## FEATURES

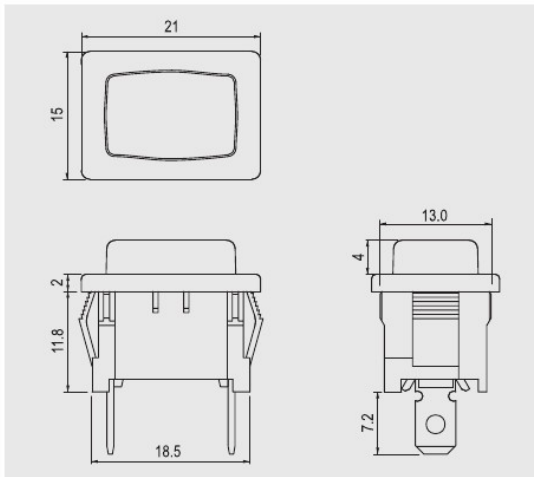
- \* MATERIAL: Frame and Actuator is nylon (UL flame: 94V-2). Terminals are silver plated brass.
- \* Snap in mounting, easy to install switch into panel.

## R13-57 -

FUNCTION	TERMINAL
<b>A</b> 2P SPST (ON)	<b>0 5</b> SO
<b>B</b> 2P SPST (OFF)	

\* ( ) =momentary

# R13-516



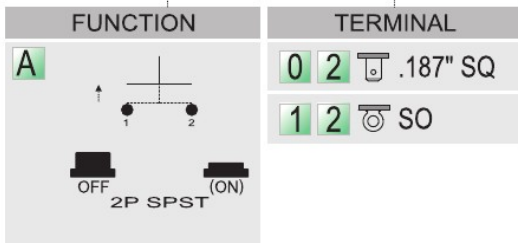
<b>Rating</b>
10A 125V AC 1/8 HP 6A 250V AC 1/3 HP
<b>Contact resistance</b>
50mΩ Max
<b>Insulation resistance</b>
DC 500V 100MΩ Min
<b>Dielectric strength</b>
AC 1500V 1 minute
<b>Cut-out</b>

	X	Y
	X	Y
0.75-1.25	19.2-0.1	13.0+0.1
1.25-2.0	19.4-0.1	13.0+0.1
2.0-3.0	19.8-0.1	13.0+0.1

## FEATURES

- \* MATERIAL: Actuator and Frame is nylon (UL flame: 94V-2). Terminals are silver plated brass.
- \* Snap in mounting, easy to install switch into panel.
- \* Application: Computer, hair dryer, vacuum cleaner and wax machine.

## R13-516 -



\* ( ) =momentary

# R13-526

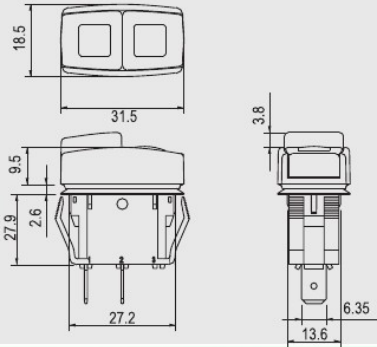


## FEATURES

- \* MATERIAL: Frame and Actuator are nylon (UL flame:94V-2). Terminals are silver plated brass.
- \* Illuminated actuators are molded in PC, available with red, amber, green, blue and white colors.
- \* Snap-in mounting, easy to install switch into panel.
- \* Watertight and dustproof to fit IP56.
- \* Watertight IPX6 of this switch is effective by the mounting panel sealed only.
- \* Application: Vacuum cleaner, machine.

R13-526

FUNCTION			TERMINAL
<b>A</b>		OFF ON	0 1  .250" SQ
<b>B</b>		OFF ON	0 5  SO
<b>C</b>		ON ON	



<b>Rating</b>
16A 125V AC 1/3 HP 10A 250V AC 1/2 HP 10(4)A 250V AC
<b>Contact resistance</b>
50mΩ Max
<b>Insulation resistance</b>
DC 500V 100MΩ Min
<b>Dielectric strength</b>
AC 1500V 1 minute
<b>Cut-out</b>

	X	Y
	X	Y
0.75-3.0	27.6-0.1	13.8+0.1
3.0-4.0	27.8-0.1	13.8+0.1
4.0-5.0	28.0-0.1	13.8+0.1

# R13-537

## Double Poles of R13-526

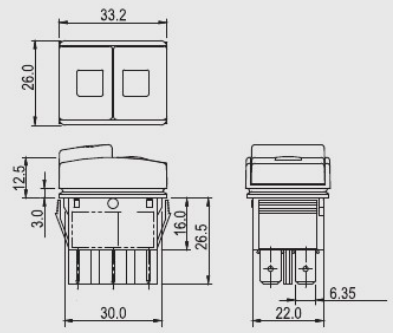


## FEATURES

- \* MATERIAL: Frame is nylon (UL flame:94V-2). Terminals are silver plated brass.
- \* Illuminated actuators are molded in PC, available with red, amber, green, blue and white colors.
- \* Snap-in mounting, easy to install switch into panel.
- \* Application: Vacuum cleaner, machine.

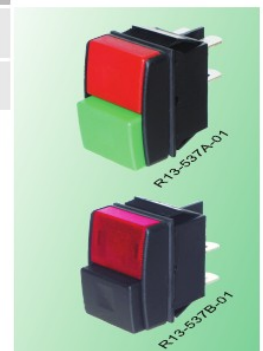
R13-537

FUNCTION		RATING	TERMINAL
<b>A</b>		16A 125V AC 1/3HP 10A 250V AC 1/2HP 10(4)A 250V	0 1  .250" SQ
<b>B</b>			0 5  SO
<b>C</b>		20A 12VDC	



<b>Rating</b>
16A 125V AC 1/3HP 10A 250V AC 1/2HP 10(4)A 250V AC
<b>Contact resistance</b>
50mΩ Max
<b>Insulation resistance</b>
DC 500V 100MΩ Min
<b>Dielectric strength</b>
AC 1500V 1 minute
<b>Cut-out</b>

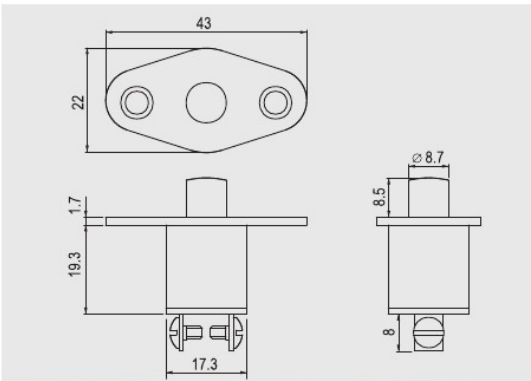
	X	Y
	X	Y
0.75-1.25	30.2-0.1	22.2+0.1
1.25-2.0	30.4-0.1	22.2+0.1
2.0-3.0	30.8-0.1	22.2+0.1





# R13-52

## Screw Mounting Type



0.75A 125V AC  
0.25A 250V AC

Contact resistance

50mΩ Max

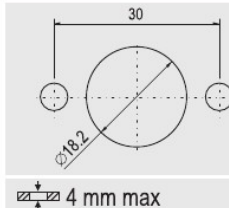
Insulation resistance

DC 500V 100MΩ Min

Dielectric strength

AC 1500V 1 minute

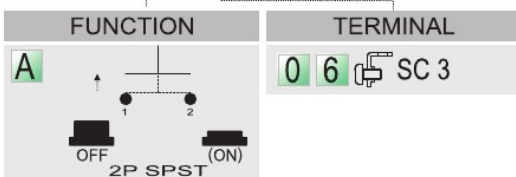
Cut-out



### FEATURES

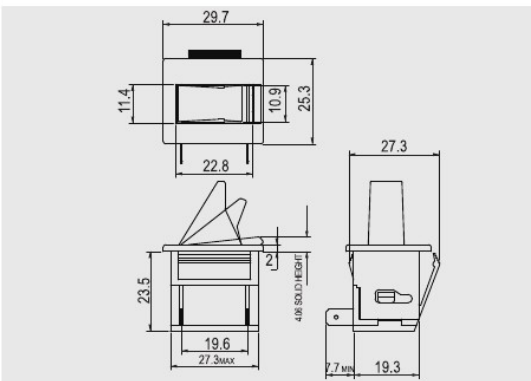
- \* MATERIAL: Frame and Actuator are ABS (UL flame: 94-HB). Terminals are brass plated.
- \* Mounted by screws.
- \* Application: Doorbell.

## R13-52



\* ( ) =momentary

# R13-915



Rating

5A 125V AC  
2.5A 250V AC 1/4HP

Contact resistance

50mΩ Max

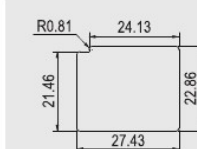
Insulation resistance

DC 500V 100MΩ Min

Dielectric strength

AC 1500V 1 minute

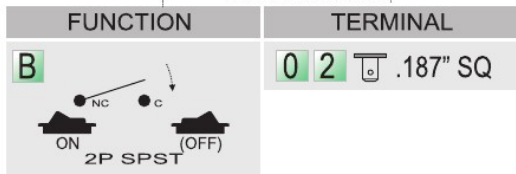
Cut-out



### FEATURES

- \* MATERIAL: Frame is nylon (UL flame: 94V-0). Terminals are phosphour bronze.
- \* Application: Refrigerator.

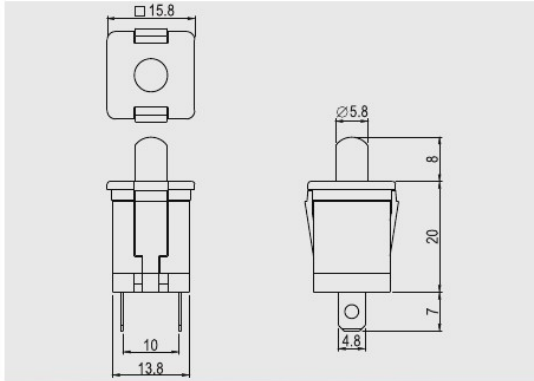
## R13-915



\* ( ) =momentary

THE DRAWING IS FOR REFERENCE ONLY.

## R13-504

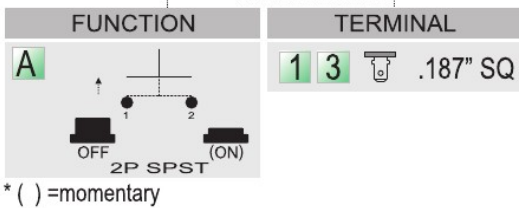


<b>Rating</b>
2A 125V AC 1A 250V AC
<b>Contact resistance</b>
50mΩ Max
<b>Insulation resistance</b>
DC 500V 100MΩ Min
<b>Dielectric strength</b>
AC 1000V 1 minute
<b>Cut-out</b>

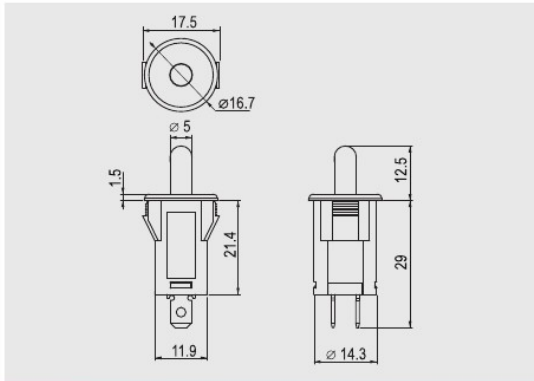
### FEATURES

- \* MATERIAL: Frame is nylon (UL flame: 94V-0). Terminals are silver plated brass.
- \* Application: Desk lamp.

## R13-504



## R13-918



<b>Rating</b>
16A 125V AC 1/3HP 10A 250V AC 1/2HP
<b>Contact resistance</b>
50mΩ Max
<b>Insulation resistance</b>
DC 500V 100MΩ Min
<b>Dielectric strength</b>
AC 1500V 1 minute
<b>Cut-out</b>

### FEATURES

- \* MATERIAL: Frame and actuator are nylon (UL flame: 94V-0).
- \* Terminals are silver plated brass .
- \* Snap-in mounting, easy install switch into panel.
- \* Application: Heater.

## R13-918

