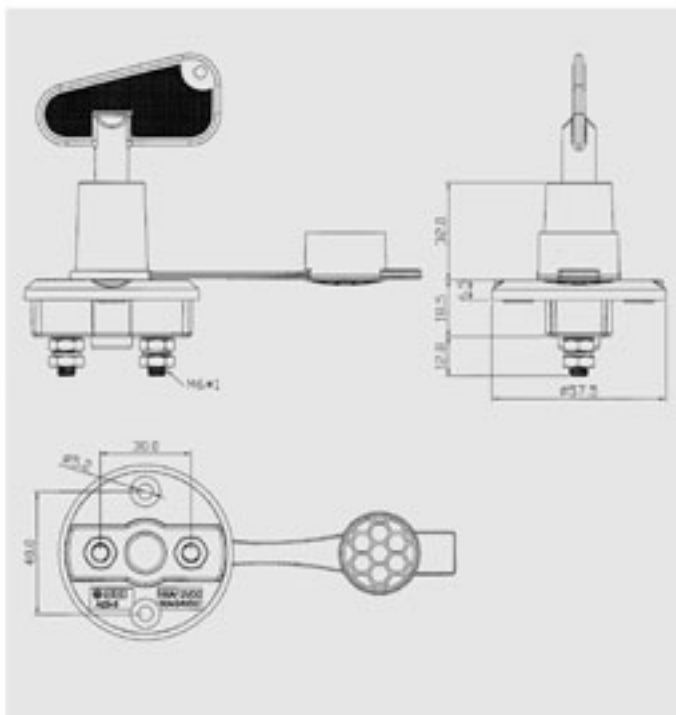


# A23 BATTERY SWITCH

*Car Switches & Accessories***NEW**

## A23-5 D



### Key Out

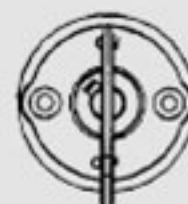


### Circuit diagram

OFF



ON



### Continuous Rating

100A 12V / 50A 24VDC

### Contact Resistance

50M $\Omega$  Max

### Intermittent Rating

150A 12V / 75A 24V DC

### Cranking Rating

500 Amps 5 sec.

### Insulation Resistance

DC 500V 100M $\Omega$  Min

### Dielectric Strength

AC 1000V 1 minute

DC 2000V 1 minute

### Operation Temperature

-30 $^{\circ}$ C ~ +60 $^{\circ}$ C

### Switch Function

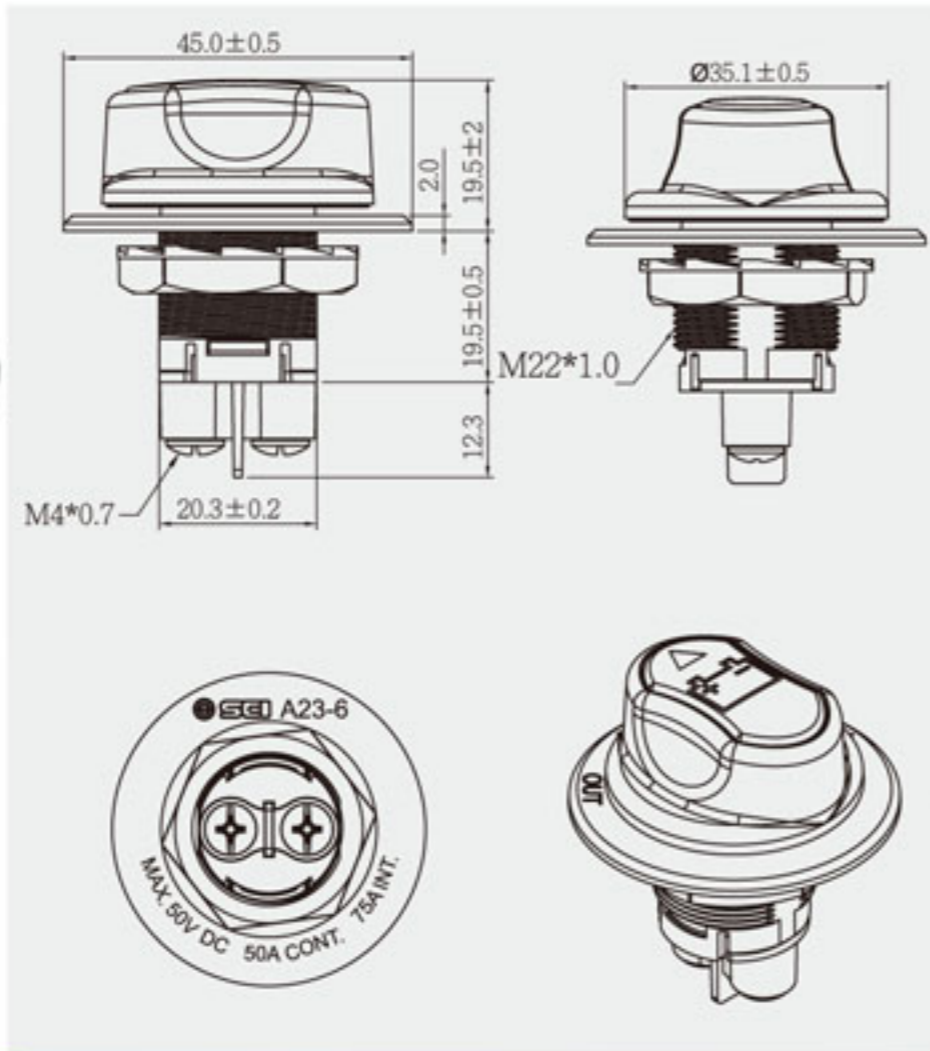
2P SPST OFF-ON

## FEATURES:

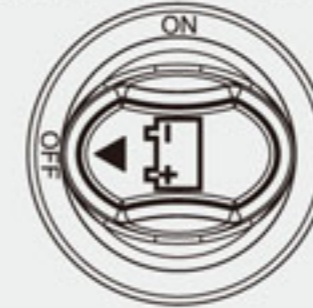
- Material:
  - Housing: Black, PA#66+15%GF, with white printing.
  - Actuator: Red, PBT+33%GF
  - Name Plate: White, ABS with black hot stamping
  - Bottom: Black, PBT+15%GF
  - Bolt: Brass(M6xP1)
  - Wire nut for connection: Hex nut, Ni-plated, Brass
  - Waterproof Cover: Black, PVC

# A23-6 □

IP54



**A** Actuator can't be take out.



**B** Actuator can be take out.



**Continuous Rating**

50 Amps 50VDC Max.

**Contact Resistance**

50MΩ Max

**Intermittent Rating**

75 Amps

**Cranking Rating**

300 Amps 5 sec.

**Insulation Resistance**

DC 500V 100MΩ Min

**Dielectric Strength**

AC 1000V 1 minute

DC 2000V 1 minute

**Operation Temperature**

-30°C ~ +60°C

**Switch Function**

2P SPST OFF-ON

## FEATURES

- Material:

Housing: Black, PA#66+33%GF, with white hot stamping

Actuator: Red, PBT+15%GF

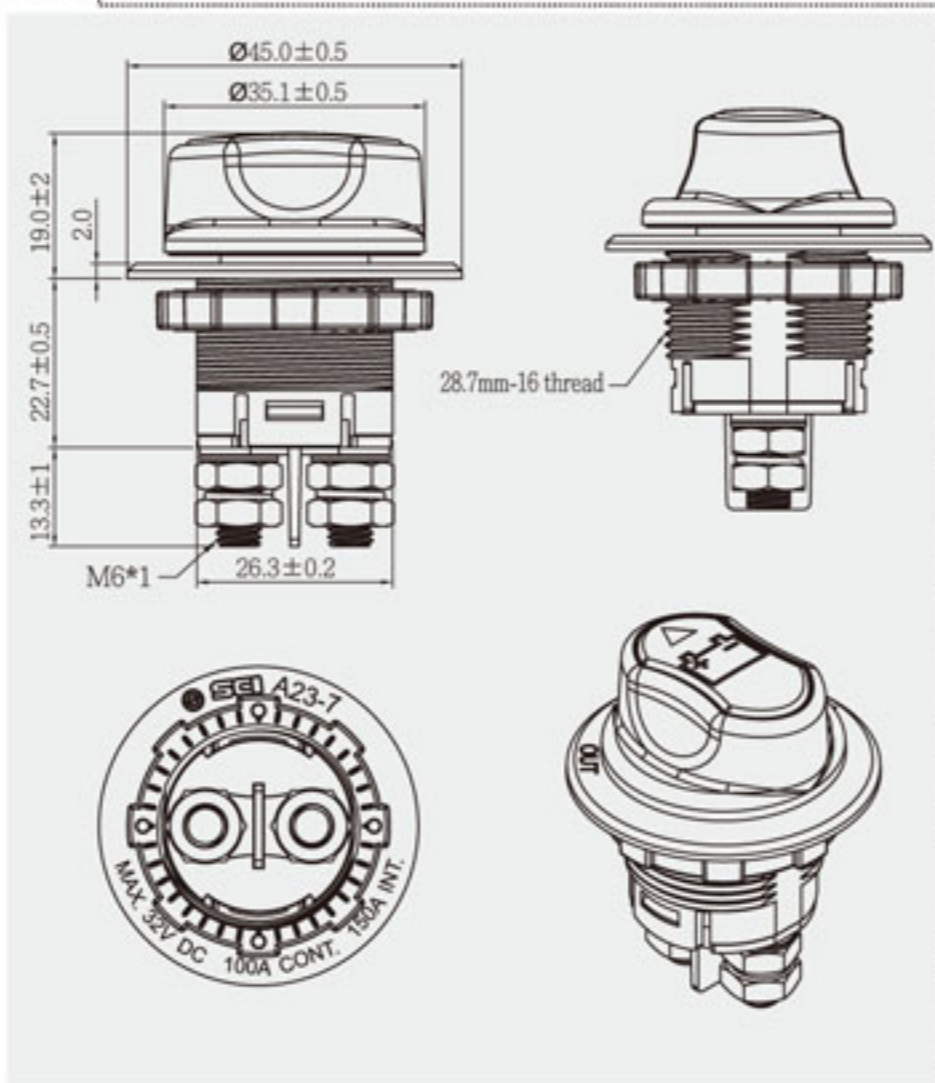
Name Plate: White, ABS with black hot stamping

Bottom: Black, PBT+15%GF

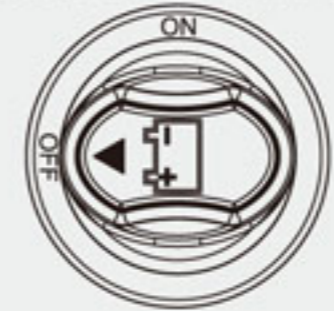
Nut: Black, POM

Screw: Ni-plated, Brass

# A23-7



**A** Actuator can't be take out.

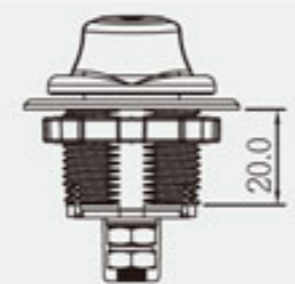


**B** Actuator can be take out.



Panel Thickness:11.0mm Max.

**B**



Panel Thickness:16.0mm Max.

## Continuous Rating

100 Amps 32VDC Max.

## Contact Resistance

50MΩ Max

## Intermittent Rating

150 Amps

## Cranking Rating

500 Amps 5 sec.

## Insulation Resistance

DC 500V 100MΩ Min

## Dielectric Strength

AC 1000V 1 minute  
DC 2000V 1 minute

## Operation Temperature

-30°C ~ +60°C

## Switch Function

2P SPST OFF-ON

## FEATURES

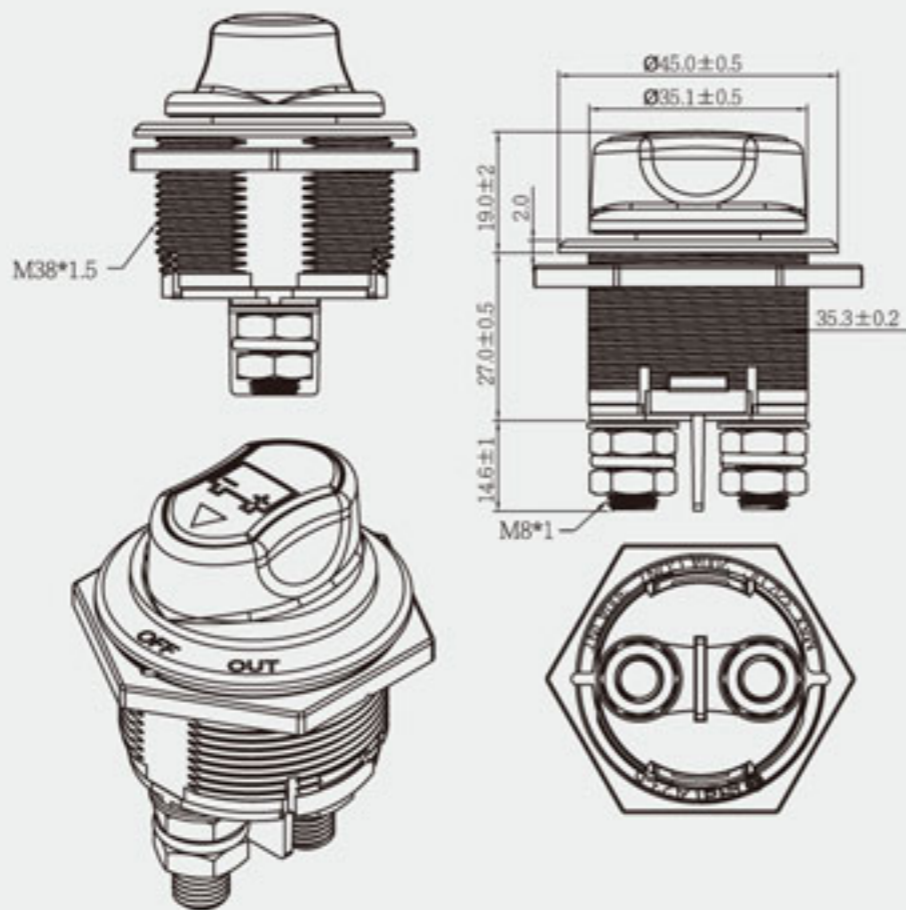
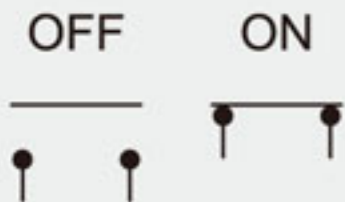
- Material:  
Housing: Black, PA#66+33%GF, with white hot stamping  
Actuator: Red, PBT+15%GF  
Name Plate: White, ABS with black hot stamping  
Bottom: Black, PBT+15%GF  
Nut: Black, PA#66  
Hex Nut: Ni-plated, Brass

IP40  
○ IP56

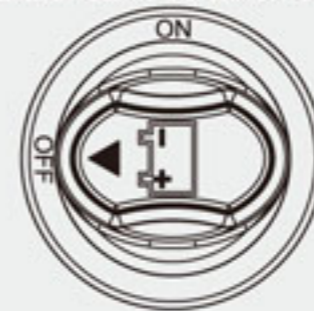
# A23-8



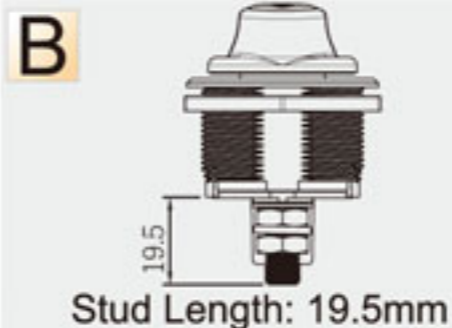
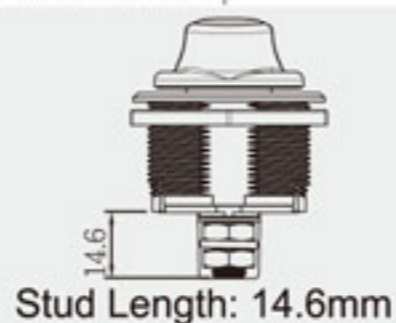
## Circuit diagram



**A** Actuator can't be taken out.



**B** Actuator can be taken out.



IP40  
o IP56

## Continuous Rating

200 Amps 32V DC Max.

## Contact Resistance

50M $\Omega$  Max

## Intermittent Rating

300 Amps

## Cranking Rating

750 Amps 5 sec.

## Insulation Resistance

DC 500V 100M $\Omega$  Min

## Dielectric Strength

AC 1000V 1 minute

DC 2000V 1 minute

## Operation Temperature

-30 $^{\circ}$ C ~ +60 $^{\circ}$ C

## Switch Function

2P SPST OFF-ON

## FEATURES

- Material:
  - Housing: Black, PA#66+33%GF, with white hot stamping
  - Actuator: Red, PBT+15%GF
  - Name Plate: White, ABS with black hot stamping
  - Bottom: Black, PBT+15%GF
  - Nut: Steel/ Bolt: Brass
  - Hex Nut: Ni-plated, Brass